

manual

leva 1 group

The Leva 1 group is the most advanced single-group lever espresso machine, with optional plumb in and drain connection. The Leva is dedicated to coffee brewing radicals, offering a groundbreaking lever technology for those aiming to pilot a solid, mechanical, heavy-duty yet safe, reliable and user-friendly machine.



la marzocco

handmade in florence

leva 1 group

Operating Manual V1.0 - 11/2019

MAN.15.1

Chapters

1. Important Safeguards	page 3
2. General Information	page 5
3. Machine Description	page 8
4. Installation	page 9
5. Preventative Maintenance and Cleaning	page 13
6. De-commissioning and Demolition	page 16
7. Installation Guide	page 17
8. Water supply network kit	page 25
9. Instructions for connection to the water supply network	page 26

**This additional manual contains information about the one brewing group version.
For all the other information you need to consult the operating manual of LEVA.**

certifications available:



la marzocco

handmade in florence

La Marzocco S.r.l.

Via La Torre 14/H
Località La Torre
50038 Scarperia e San Piero
(Florence) - ITALY

www.lamarzocco.com
info@lamarzocco.com

T: +39 055 849 191
F: +39 055 849 1990

Original instructions verified by the
manufacturer.



Scan QR Code to view the complete
Software Programming Guide available on
the techcenter website.

Printed on recycled paper.

1. Important Safeguards

WARNING
SAVE THESE INSTRUCTIONS

IMPORTANT SAFEGUARDS

When using electrical appliances, basic safety precautions should always be followed, including the following:

1. Read all instructions.
2. Do not touch hot surfaces. Use handles or knobs.
3. To protect against fire, electric shock and injury to persons do not immerse cord, plugs, or electrical parts in water or other liquid.
4. Close supervision is necessary when any appliance is used by or near children.
5. Unplug from outlet when not in use and before cleaning. Allow to cool before putting on or taking off parts, and before cleaning the appliance.
6. Do not operate any appliance with a damaged cord or plug or after the appliance malfunctions, or has been damaged in any manner. Return appliance to the nearest authorized service facility for examination, repair or adjustment.
7. The use of accessory attachments not recommended by the appliance manufacturer may result in fire, electric shock or injury to persons.
8. Do not use outdoors.
9. Do not let cord hang over edge of table or counter, or touch hot surfaces.
10. Do not place on or near a hot gas or electric burner, or in a heated oven.
11. Always attach plug to appliance first, then plug cord into the wall outlet. To disconnect, turn any control

WARNING
SAVE THESE INSTRUCTIONS

IMPORTANT SAFEGUARDS

to “off,” then remove plug from wall outlet.

- 12. Do not use appliance for other than intended use.
- 13. Save these instructions.

14. The service area is restricted to persons having knowledge and practical experience of the appliance, in particular as far as safety and hygiene are concerned.

15. The appliance is only to be installed in locations where its use and maintenance is restricted to trained personnel.

2. General Information

▲ WARNING ▲
The manufacturer declines any responsibility for any event leading to liability suits whenever grounding has not been completed according to current local, national, and international regulations and electrical codes, or other electrical parts have been connected improperly.

▲ WARNING ▲
This machine is not suitable for outdoor use. Jets of water should not be used to clean the machine, nor should it be placed where water jets are used.

▲ WARNING ▲
The machine must be installed so that qualified technical personnel can easily access it for maintenance.

▲ WARNING ▲
The warranty will be void in case of:

- Incorrect use, not in accordance with the design purpose;
- Use of non-genuine spare parts;
- Power cord tampered with;
- Components tampered with;
- Repairs made by unauthorized personnel.

▲ WARNING ▲
Hazardous voltage disconnect from power supply before servicing.

▲ WARNING ▲
In order to prevent cracks or leakage: do not store or install the coffee machine in places where temperature may cause boiler or hydraulic system water freezing.

Espresso coffee machine essentially made up of a brewing group of hot water for espresso coffee and a steam boiler that is able to supply steam and hot water for infusions.

This machine should not be installed in kitchens.

About this manual

This operating guide is an integral and essential part of the product and must be supplied to users. Users are asked to read the enclosed warnings and cautions carefully, as they provide valuable information concerning safety during installation, operation, and maintenance. This manual must be kept in a safe place and be available for consultation to new and experienced users alike.

Remove machine from packaging

1) Ensure product's integrity by inspecting the packaging, making sure it presents no signs of damage which might have affected the enclosed machine.

2) Check the machine's integrity after having carefully removed the packaging. Packaging (boxes, plastic bags, foam parts and whatever else) must not be left within

easy reach of children, due to the potential danger it represents, nor be discarded in the environment.

Safety instructions

1) Check to see that data on the rating plate corresponds to those of the main electrical supply to which the machine will be attached.

This equipment must be installed to comply with applicable federal, state or local plumbing codes.

2) The installation must be performed according to local electrical and plumbing codes and regulations. The installation also must comply to the manufacturer's instructions, and must be performed by qualified and authorized personnel.

3) Incorrect installation may cause injury/damages to people, animals or objects, for which the manufacturer shall not be held responsible.

4) Safe electrical operation of this device will be achieved only when the connection to the power outlet has been completed correctly and in observance of all local, national, and international electrical codes and safety regulations, and particularly by grounding the unit. Make sure grounding has been done properly as it represents

a fundamental safety requirement. Ensure qualified personnel check such connection.

5) Furthermore, you must ensure that the capacity of the available electrical system is suitable for the maximum power consumption indicated on the espresso machine.

6) We do not recommend using adapters, multiple plugs and/or extension cords. If you cannot avoid using them, make sure that they are exclusively of the kind which conforms to local, national, and international electrical codes and safety regulations, being careful not to exceed the power and current ratings indicated on such adapters and extension cords.

7) This device must be used exclusively for the functions it has been designed and built for. Any other application is inappropriate and dangerous.

The manufacturer shall not be held responsible for any damages caused by improper and/or irrational use.

8) Using any electrical device requires that certain fundamental rules be observed. In particular:

- do not touch the device with wet or moist hands and feet

- do not use the device while not wearing shoes
- do not use extension cords in bath or shower rooms
- do not unplug the device from the power outlet by pulling on the power supply cable
- do not expose the device to atmospheric agents
- do not allow children or untrained people to use this device

9) Before performing any maintenance and/or cleaning operations (other than back-flushing the group), turn the main switch to the "0" position, and disconnect the machine from the electrical network by unplugging the cord or by switching off the relative circuit breaker. For any cleaning operation, follow exclusively the instructions contained in this manual.

10) If the machine is operating in a faulty manner or stops working, disconnect it from the electrical network (as described in the preceding point). Do not attempt to repair it. Contact a qualified and authorized professional to perform any repair. Any repair must be performed exclusively by the manufacturer or by an authorized centre using only original parts. Non compliance with the above could compromise the safe operation of the machine.

11) In order to avoid dangerous overheating problems, it is recommended that the power supply cable be unfurled completely.

12) Do not obstruct air intake and exhaust grilles and, in particular, do not cover the cup warmer tray with cloths or other items.

13) The machine's power supply cable must not be replaced by users. In case the power supply cable becomes damaged, shut off

the machine and disconnect the machine from the electrical network by unplugging the power cord or switching off the relative circuit breaker and close off the water supply; to replace the power supply cord, contact qualified professionals exclusively.

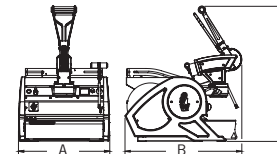
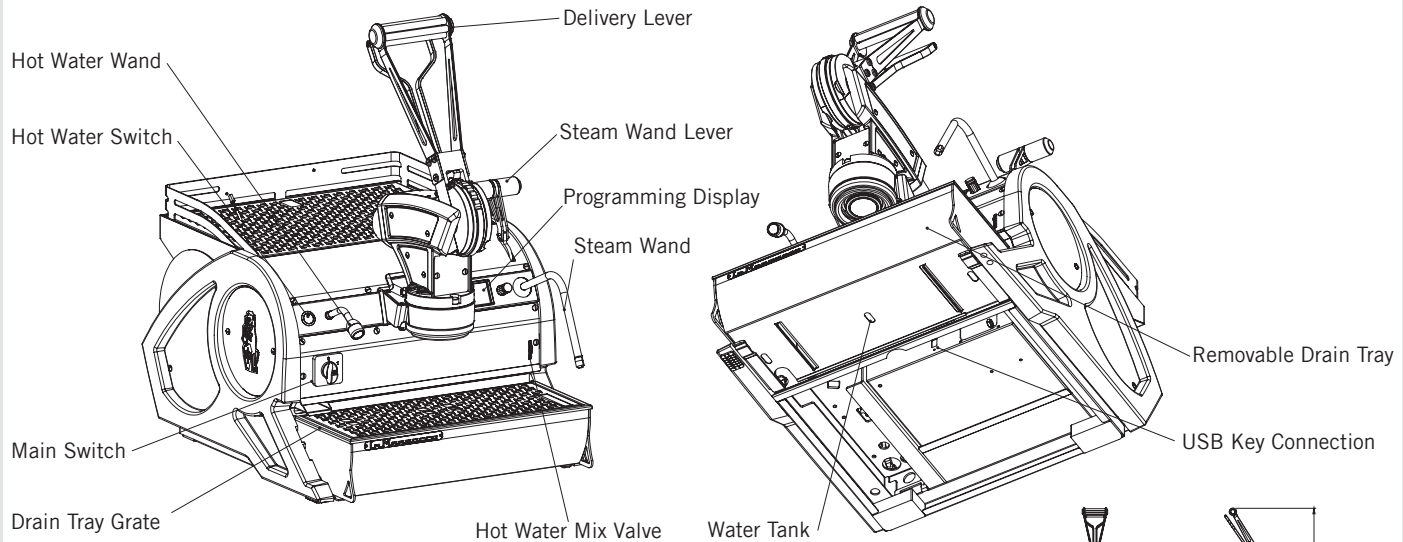
14) These instructions are also available in an alternative format on a website <http://techcenter.lamarzocco.com>.

Water specifications table

		Min.	Max.
T.D.S.	ppm	90	150
Total Hardness	ppm	70	100
Total Iron (Fe ⁺² /Fe ⁺³)	ppm	0	0,02
Free Chlorine (Cl ₂)	ppm	0	0,05
Total Chlorine (Cl ₂)	ppm	0	0,1
pH	value	6,5	8,5
Alkalinity	ppm	40	80
Chloride (Cl ⁻)	ppm	not more	30

N.B.: Test water quality (the warranty is void if water parameters are not within the range specified in the section "installation")

3. Machine Description



MODEL/SERIES	GROUP	V/Hz	RATED POWER (W)	RATED INPUT (A)	COFFEE BOILER WATTAGE	STEAM BOILER WATTAGE	TOTAL WATTAGE	POWER CORD SIZE (mm ²)
LEVA X	1GR	AC 220-240V	2300	10	800	1000	2300	SEE ELECTRICAL CONNECTIONS FOR DETAILS

LEVA	1 group
A [mm]	522
B [mm]	671
C [mm]	776
WEIGHT [kg]	67

Figure 1 - Machine Description

4. Installation

WARNING

The coffee machine must be placed in a horizontal position on a counter higher than 80 cm from the ground.

WARNING

The expansion valve can discharge water as hot as 200°F / 93°C. Adequate protection for handling this component is needed before attempting to adjust.

WARNING

This machine is not suitable for outdoor use.

WARNING

The machine is intended to be permanently connected to mains power supply. It is mandatory that a residual current device (RCD) with a rated residual operating current not exceeding 30 mA is installed.

Note:

- Minimum room temperature: **5°C/41°F**
- Maximum room temperature: **32°C/89°F**
- The weighted sound pressure level of the machine is lower than 70dBA.

Espresso machine installation, leva 1 group

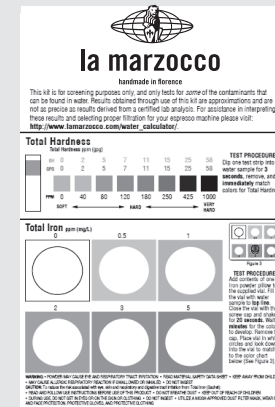
1) Fill water reservoir with potable water.

Once the espresso machine has been unpackaged, placed on a hard surface. Remove the drain tray and slide the water reservoir until the water reservoir fill cover is accessible. Remove the cover and fill water reservoir with potable water. Replace the fill cover and slide the water reservoir to the operating position and replace the drain tray. In order to connect the machine up to the water mains proceed according to the indications given in the Installation Guide and in compliance with any local/national safety standards of the location in which the machine is being installed.

To guarantee a correct and safe functioning of the machine and to maintain an adequate performance level and a high quality of the beverages being brewed it is important that the incoming water be of a hardness

greater than 7°f (70ppm, 4°d) and less than 10°f (100ppm, 6°d), pH should be between 6.5 and 8.5 and the quantity of chlorides be less than 30mg/l. Respecting these values allows the machine to operate at maximum efficiency. If these parameters are not present, a specific filtration device should be installed, while always adhering to the local national standards in place regarding potable water.

In order to enable you to check if your water supply is within the suggested ranges, La Marzocco machines will be equipped with two units of a quick water test kit (see image below) including 6 test-strips and instruction cards.



The parameters that you can measure are Total Hardness, Total Iron, Free Chlorine, Total Chlorine, pH & Total Alkalinity, Chlorides.

Ideally, you should perform a test on the water BEFORE the water treatment system and again AFTER the water system in order to verify if this is actually matching our suggested ranges.

Once the test has been performed, learn which treatment system is most appropriate for your particular water supply by filling out the online water calculator on our website: LA MARZOCCO WATER CALCULATOR (http://www.lamarzocco.com/water_calculator/).

2) Connect espresso machine to power supply.

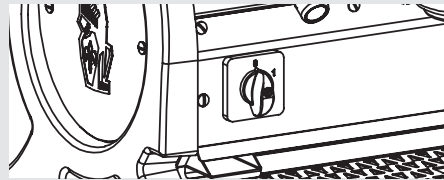
Connect the espresso machine to a power supply that is rated in accordance with the serial plate on the espresso machine.

3) Filling the boilers with water.

Complete the following steps to properly fill the boiler tanks:

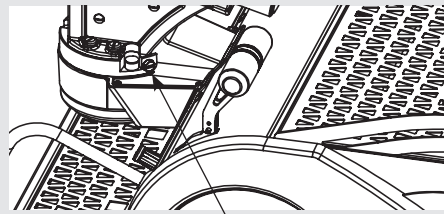
Steam boiler: Turn the main switch to position “1”, the steam boiler will then automatically fill to a predetermined level. When the correct water level in the steam boiler is reached, the machine will automatically stop filling.

NOTE: It may be necessary to re-fill the water reservoir during this process.



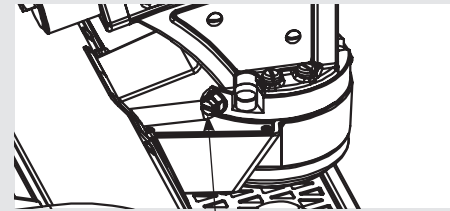
Coffee boiler: The water flows inside the coffee boiler directly, as soon as the water system and purifier taps (if present) are opened.

Since the inflow of water will compress the air in the boiler, it will be necessary to remove or “bleed” the air from the coffee boilers. All air must be removed in order to completely “saturate” the coffee boiler/group assemblies.



Purge screw

Loosen the bleed screws one at a time to allow air to escape until water flows from below the screw head. Tighten the screw to stop the water from flowing. Over tightening can cause damage to the sealing washer and the group cover. Repeat this procedure on all groups.



Purge screw

WARNING: hot water or pressurised steam will inevitably flow out, so:

- Protect your body with appropriate clothing and/or keep well away,
- Wear gloves providing protection against heat,
- Keep exposed body parts, like your face, well away.

4) Verify filling of boilers.

The installation is now complete and the espresso machine should be heating to the operating temperatures.

Brewing after first installation

Once the first installation procedures are finished, before proceeding with brewing coffee, hot water and steam, please follow these steps:

- Engage the portafilter by inserting it into the group head and rotate the handle from left to right. Once the portafilter is inserted properly, you can move the paddle on the left side to start the flow of water through the portafilter. Brew water through the group for at least two minutes.

- Being careful to avoid burns, turn on steam wand for at least one minute.
- Turn on the hot water valve for the time necessary to allow at least 1 liter of water to be brewed.

5) Waiting for the espresso machine to heat to operating temperature.

During this time, it may happen that the pointer of the coffee boiler pressure reaches as high as 14-15 bar. This may happen anytime that the heating element is in the “on” condition. In this case, it is necessary to adjust the expansion valve (see the picture below about the coffee boiler expansion valves) in such a way that the pressure never exceeds 6 bar.

The steam boiler pressure can be read through a pressure gauge located inside the machine.

When the steam boiler reaches operating temperature, the light on the Hot Water dispense button will switch on.

NOTE: As the steam boiler reaches operating temperature you may hear air and steam escaping from the boiler. This is a normal sound. As the water boils, air in the boiler is replaced by steam and exits through the vacuum breaker. As the boiler get closer to operating temperature

the vacuum breaker closes and the steam is no longer able to escape. This process allows the air in the steam boiler to escape and to be replaced by water vapor.

6) Machine CE plate:



7) Adjusting the expansion valve.

The expansion valve is a component that limits the maximum pressure in the coffee boiler. Heating the coffee boiler causes the water within to expand. Since the coffee boiler is completely saturated, the expanding water causes an increase in pressure within the boiler. Without a safety device the increase in pressure could cause a rupture in the boiler. The pressure in the coffee boiler should never exceed 6 bar. The valve is hot, so, using adequate protection, rotate the expansion valve clockwise to increase pressure. To decrease pressure, rotate the expansion valve counter clockwise (see the following diagram).

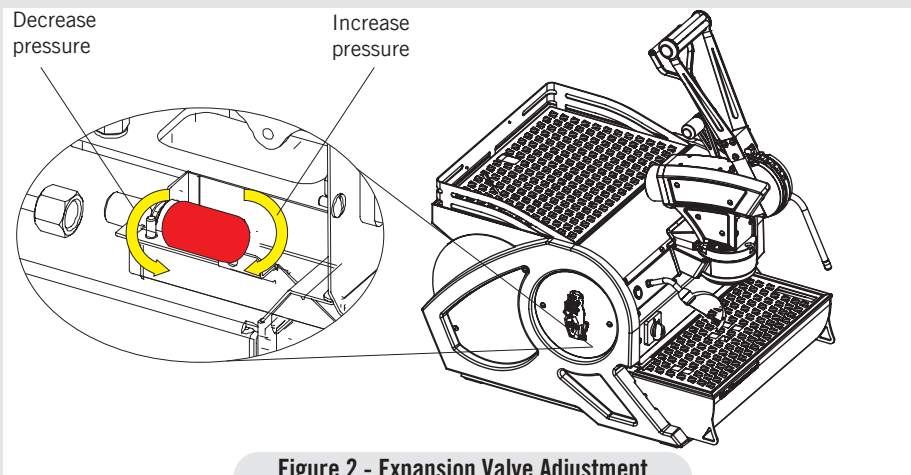


Figure 2 - Expansion Valve Adjustment

8) Adjusting volumetric pump pressure.

The volumetric pump is factory set at 3 bar pressure. If it becomes necessary to change the pressure please use the following procedure:

1. Remove the back panel.
2. Locate the water pump adjustment screw and loosen the lock nut.

3. Adjust the volumetric pump pressure to the desired measurement, looking at the relative pressure gauge.

4. Rotate clockwise to increase pressure and counter-clockwise to reduce pressure.

NOTE: The volumetric pump pressure should be adjusted when the machine is operating and coffee is present in the portafilter.

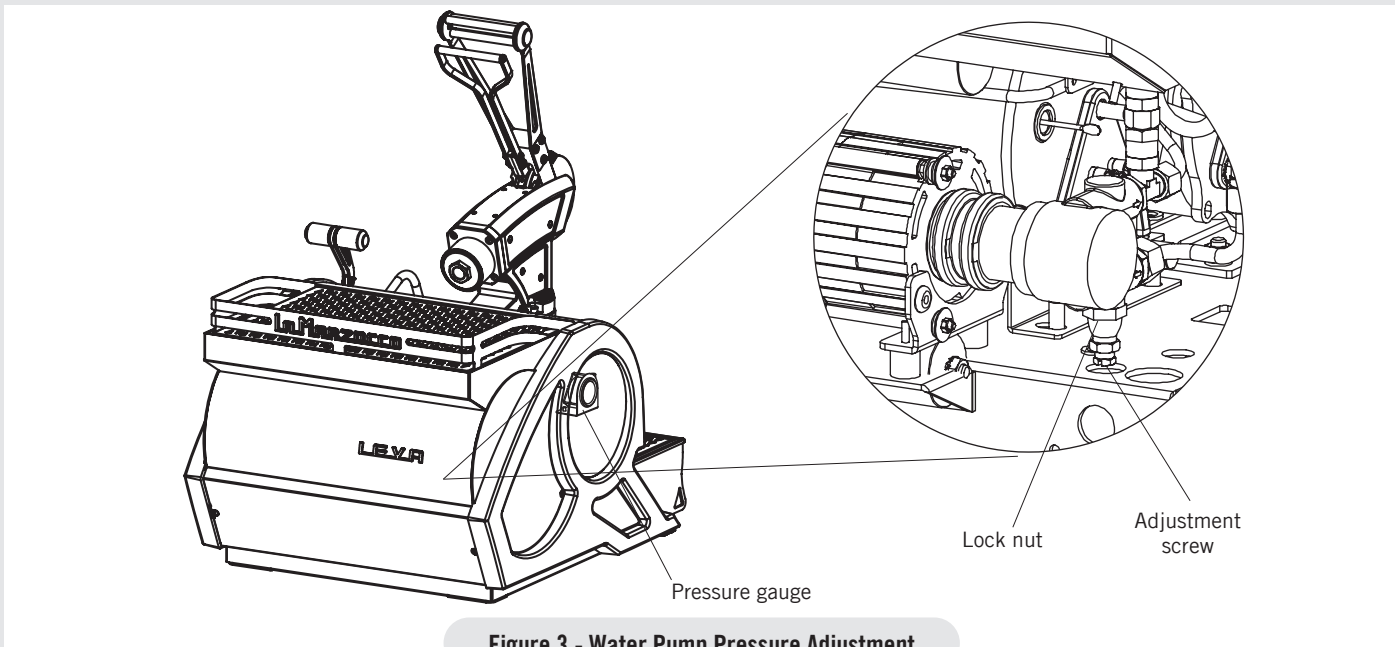


Figure 3 - Water Pump Pressure Adjustment

5. Preventative Maintenance and Cleaning

WARNING
Jets of water should not be used to clean the machine, nor should it be placed where water jets are used.

WARNING
Do not remove the filter holder while relative group is brewing hot liquids. The coffee boiler water at elevated temperature. Water temperature over 125°F / 52°C can cause severe burns instantly or death from scalding.

WARNING
The machine must not be dipped in, nor splashed with water in order to clean it. For cleaning operations, please follow the instructions very carefully.

WARNING
This machine is designed only for preparing coffee and hot drinks.

WARNING
The expansion valve can discharge water as hot as 200°F / 93°C. Adequate protection for handling this component is needed before attempting to adjust.

1) Cleaning group and and drain wells

- Remove the diffuser screen and wash it separately as described further below.
- Using a wet soft cloth, clean the surface of the piston laying under the removed diffuser screen.
- Unscrew the siphon screw.
- Add a spoonful of espresso-specific powder detergent to the blind filter in the portafilter (following the instructions provided by the product manufacturer), then insert the portafilter into the group you wish to clean.

By operating the lever, raise and lower the piston multiple times until the water flowing out of the siphon is clear and contains no soap.

WARNING: during this stage, do not release the lever. The system cannot generate enough back pressure to prevent hammering, which may damage the machine.

2) Cleaning filters

- Put 2 or 3 teaspoons of detergent powder for coffee machines in about 1/2 a litre of water inside a heat-resistant container and boil.
- Dip filters in the boiled solution and leave them fully submerged for about 30 minutes.
- Rinse thoroughly with clean water and run hot water through one group several times with the filters in place.
- Make one cup of coffee and discard in order to remove any unpleasant flavor.

3) Cleaning filter holders (portafilters)

Using the proper cleaning tool (brush) wash the filter holders under hot water, a neutral detergent may also be used. For extraordinary cleaning see the Portafilter Manual.

4) Cleaning the drain collector

Remove the drain tray grill at least twice a week and clean, pull out the water drain collector and clean it thoroughly. Inspect and clean also the drain box and remove any leftover grounds.

5) Cleaning the body

Wipe the stainless steel surfaces with a soft, non abrasive cloth in the direction of

the glazing marks, if any. Do not use any alcohol or solvents whatsoever on painted or imprinted parts in order not to damage them.

6) Cleaning the hot water and steam nozzles

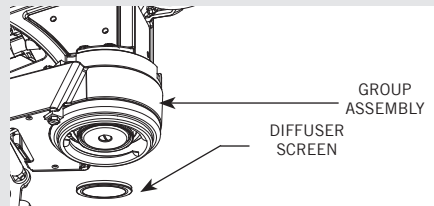
Steam nozzles must be cleaned immediately after use with a damp cloth and by producing a short burst of steam so as to prevent the formation of deposits inside the nozzles themselves, which may alter the flavor of other drinks to be heated. Hot water nozzles must be cleaned periodically with a damp cloth.

7) Cleaning the diffuser screen

During normal usage, coffee residues may stain the diffuser screen and the bottom section of the piston. To clean them, you will have to remove the diffuser screen, using the appropriate tool supplied. Then clean the diffuser screen with the powder detergent; also clean the bottom surface of the piston with a wet (non-abrasive) sponge.

Rinse with plenty of clean water before reinstalling the diffuser screen.

After reinstalling it and making sure that the spring has snapped, operate the group multiple times to rinse it.



WARNING: if you perform the cleaning procedure while the machine is hot, the diffuser screen, the parts around it and the rinsing water will be hot. Protect yourself by wearing gloves.

8) Cleaning the pressure gauge/transducer siphon

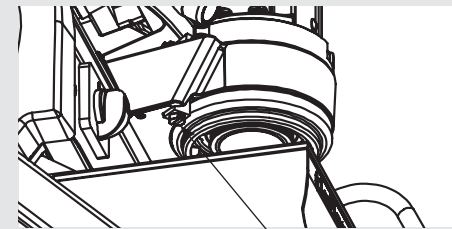
Should you notice any operation fault in the delivery pressure gauge or in the transducer, it might be due to the duct being entirely or partially obstructed by coffee residues. In this case proceed as follows:

- Install a blind portafilter
- Unscrew the screw indicated by the arrow
- Operate the lever to carry out a flushing.
- Once the flushing is completed turn the screw back in.

Carry out a test by brewing a coffee.

WARNING: if cleaning is performed while the machine is hot, the water flowing out of the screw will be hot.

WARNING: if cleaning is performed while the machine is hot, the screw will be hot; wear gloves.



Siphon Screw

9) Water Filter/Softener

Please see the documentation accompanying the water filter/softener for proper operating and cleaning instructions.

• **Steam boiler draining:** to activate this function you need to access the programming menu. Yearly, we recommend to fully drain the steam boiler by means of the specific drain cock located on the side of the boiler or under the boiler.

10) Depressurize the steam boiler

Press and hold the encoder knob to set the espresso machine to “OFF”, then push down the steam lever in order to depressurize the steam boiler.

11) Clean the water reservoir and the drain box

The water reservoir needs to be cleaned periodically to ensure that no algae forms on the inside surfaces. To clean, first remove the water reservoir from the

machine. Disconnect the clear plastic water intake hose. Hand wash each part with water containing mild soap.

IMPORTANT

If the machine has not been used for more than 8 hours or, in any case, after long periods of being idle, in order to use the machine to its full potential it is necessary to perform some cleaning cycles before brewing beverages as follows:

- **Groups:** with the portafilters engaged in the groups brew water through each for at least two minutes
- **Steam:** Being careful to avoid burns, turn on each steam wand for at least one minute.
- **Hot Water:** Turn on the hot water valve for the time necessary to allow the following quantities of water to be brewed:
At least 1 liter for a 1/2 group machine

If the machine is not going to be used for long periods of time, it is advisable to follow these safety indications:

- Disconnect the machine from the water mains or interrupt the water connection via a mains tap.
- Disconnect the machine from the electrical mains.

Cleaning frequency

Daily

- Portafilter
- Filter
- Diffuser screen
- Diffuser screw
- Steam wand (just after use)
- Drain grille

Weekly

- Water Reservoir
- Drain Box

Monthly

- Cleaning the hot water nozzle

6. De-commissioning and Demolition

1) De-commissioning and demolition

Start by setting the main switch to the “0” or OFF position.

Disconnecting from the power outlet

Disconnect the espresso machine from the electrical network by switching off the associated circuit breaker or circuit protection device. Remove the power supply cord from the power connection. Remove the Pump Motor Power Cord from the water pump motor.

Disconnecting from the water system

Shut off the water supply by closing the specific tap located upstream of the water filter/softener inlet. Disconnect the water pipe at the water filter/softener inlet.

Remove the hose connecting the espresso machine to the water pump. Remove the reinforced plastic tubing on the drain connection.

At this point, the machine may be removed from the bar, being very careful not to drop it or squash your fingers.

The machine is made out of various materials and therefore, if you do not intend to put it back in service, it must be taken to a special disposal company which will select the materials which can be recycled and discard the others.

Current regulations make it illegal to discard such machine by leaving it on public grounds or on any private property.

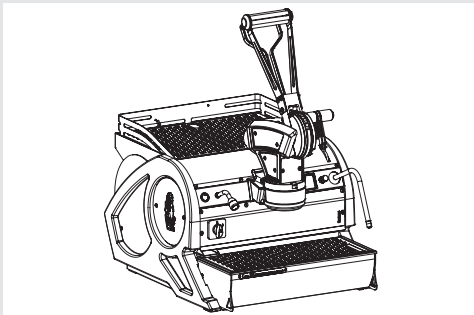
Recycling notice: Warning for the protection of the environment:

Used Electrical and electronic waste contains hazardous but also valuable and scarce materials which should be recovered and recycled properly. We kindly ask that you contribute to the protection of the environment and natural resources by delivering used equipment to the relevant recycling locations if such locations are available in your country.



7. Installation Guide

1. Unpack LEVA Espresso Machine	page 18	6. Monitor coffee boiler pressure	page 21
2. Fill with water (initial fill)	page 18	7. Adjust the expansion valve	page 22
3. Drain box alignment	page 19	8. Monitor steam boiler pressure	page 23
4. Connect to power supply	page 19	9. Brew espresso	page 24
5. Turn on main power	page 20	10. Verify working boiler pressures	page 24

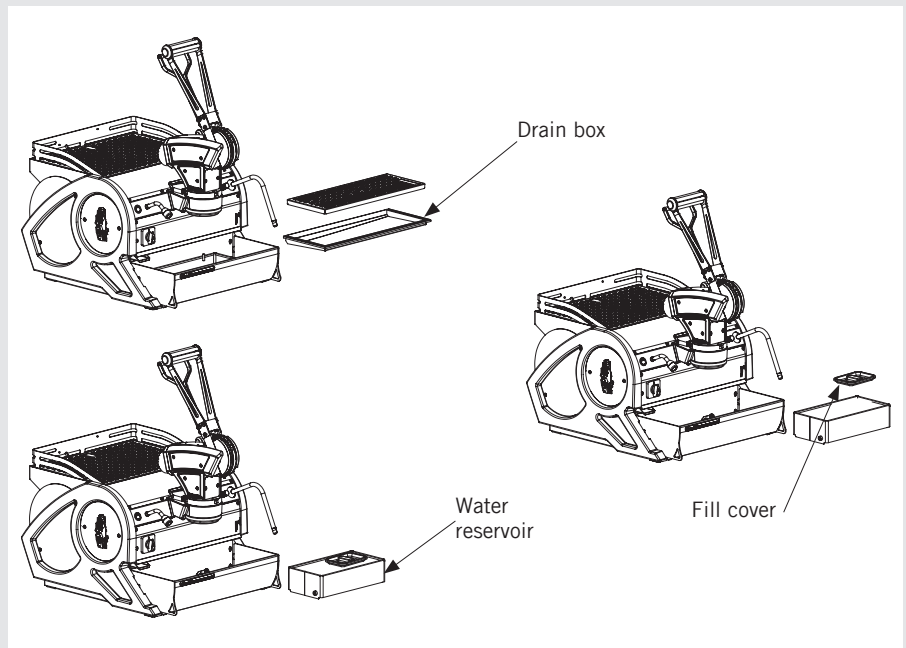


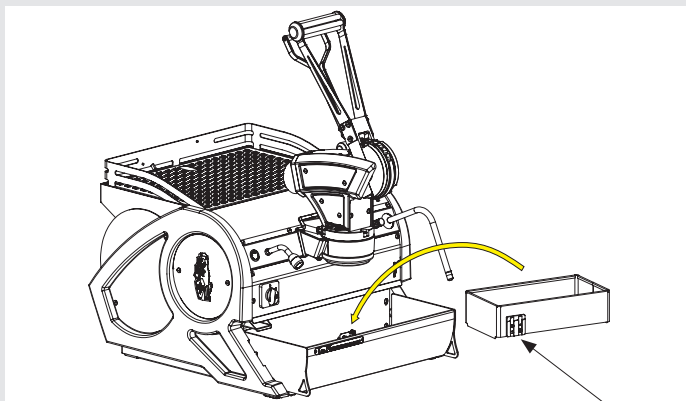
- 1 Unpack espresso machine and set on a level surface. Ensure all accessories are included with shipment. Check for any visible damage to espresso machine.

WARNING
The coffee machine must be placed in a horizontal position on a counter higher than 80 cm from the ground.

- 2 Remove/Open the fill cover and fill the reservoir with filtered water. Slide the reservoir back into position and replace the drain box. Make sure the drain box is inserted fully. The water reservoir must make contact with the level indicators on the rear side.

NOTE: The LEVA 1 group is configured to work with the water reservoir.





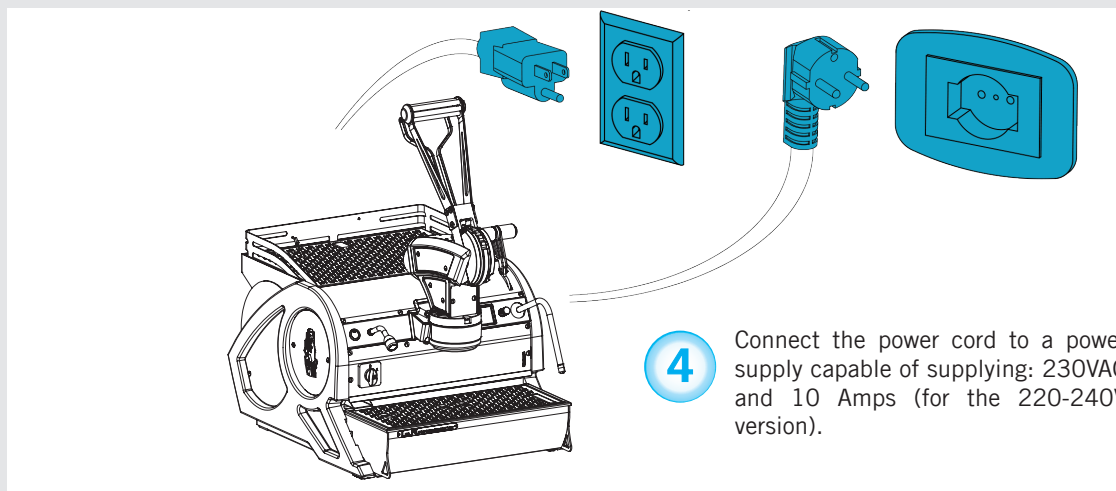
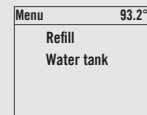
Level indicators

3

IMPORTANT NOTE:

The drain box must be installed correctly for the machine to function properly. Make sure the drain box is inserted fully. The water reservoir must make contact with the level indicators on the rear side.

If the water tank is empty on the display you will find the following allarm.



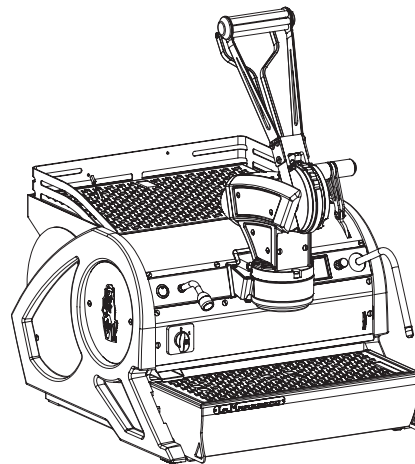
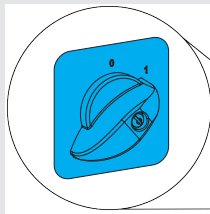
4

Connect the power cord to a power supply capable of supplying: 230VAC and 10 Amps (for the 220-240V version).

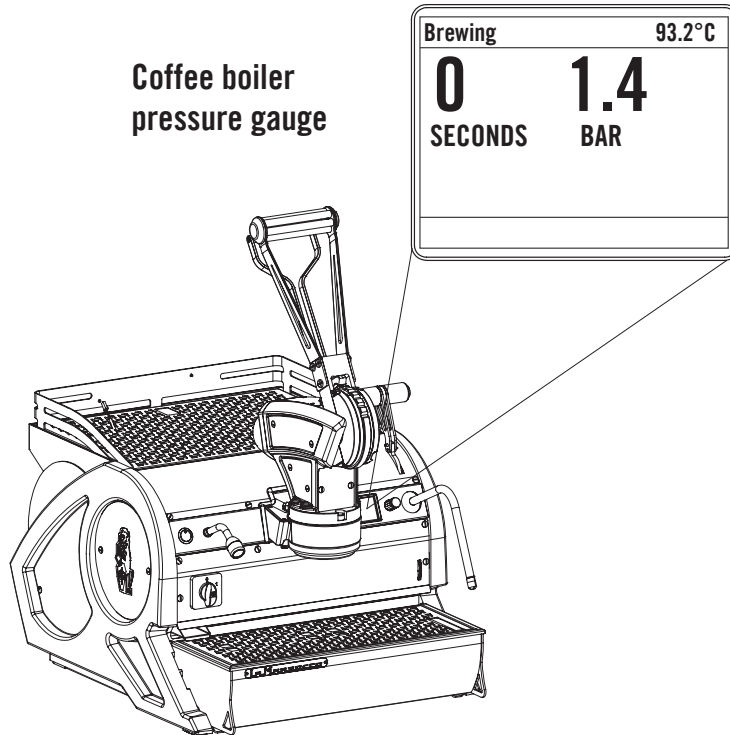
WARNING

The manufacturer declines any responsibility for any event leading to liability suits whenever grounding has not been completed according to current local, national, and international regulations and electrical codes, or if other electrical parts have been connected improperly.

- 5 Turn on power by turning the main power switch on 1 position. The main power switch may be found on the left in front of the machine.



**Coffee boiler
pressure gauge**

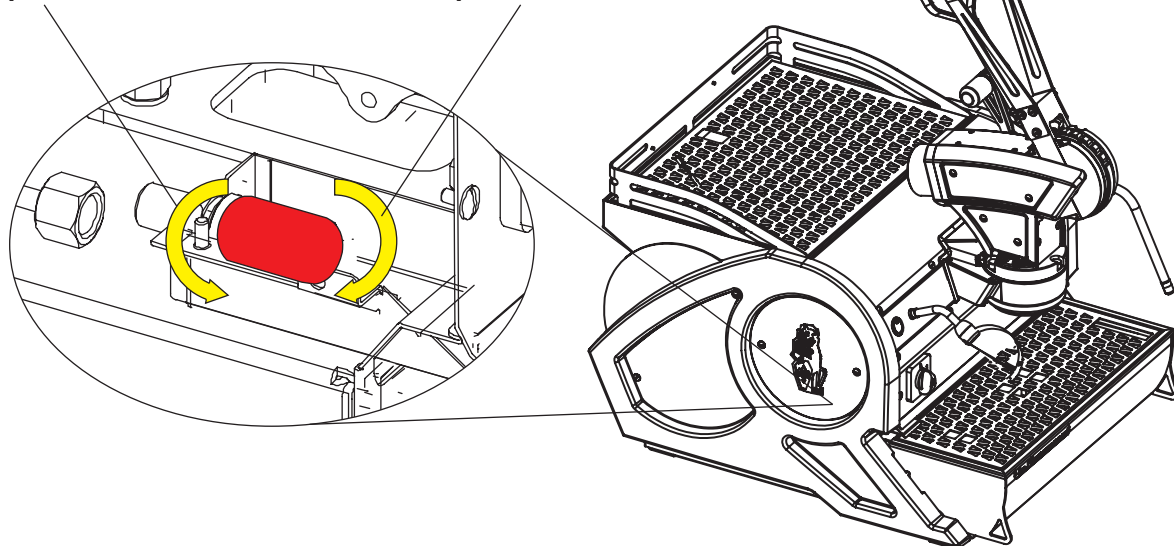


6

Next it will be necessary to check the expansion valve. As the coffee boiler heats to operating temperature the pressure in the coffee boiler will rise. There is an expansion valve behind the drain tray that allows some water to escape during this process to limit the maximum pressure in the coffee boiler to 6 bar. Please monitor the coffee boiler pressure gauge during the initial heating process. You should notice the gauge approach 6 bar and stop. If the pressure gauge does not reach 6 bar or if the pressure gauge rises above 6 bar, then it will be necessary to adjust the expansion valve. Please follow the next step to properly adjust the expansion valve.

Decrease
pressure

Increase
pressure



7

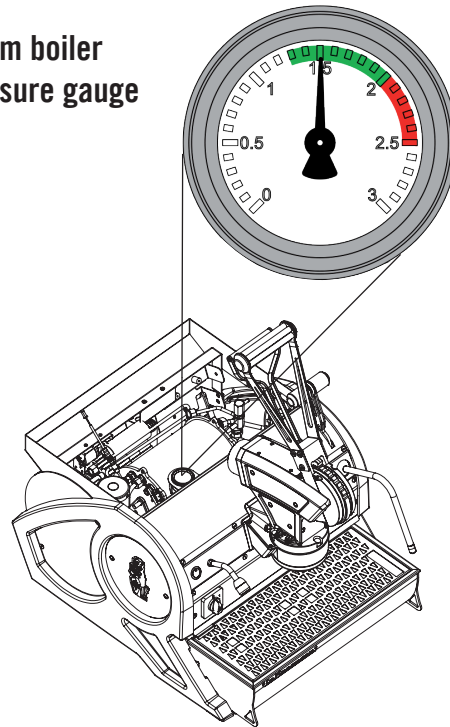
Please follow this procedure if it is necessary to adjust the expansion valve. First remove the left side glass to access the expansion valve. The expansion valve protrudes through the sheet metal, has the shape of a hexagon, is brass in color and 18 mm (tool). The valve will be hot, so, using adequate protection, in order to adjust the expansion valve rotate the valve clockwise to raise the pressure and counter-clockwise to reduce the pressure. It may be necessary to use a spanner to rotate the expansion valve in 1/4 turn or less increments until the desired pressure is achieved. Replace the left side glass after each adjustment to ensure the machine is operating correctly.

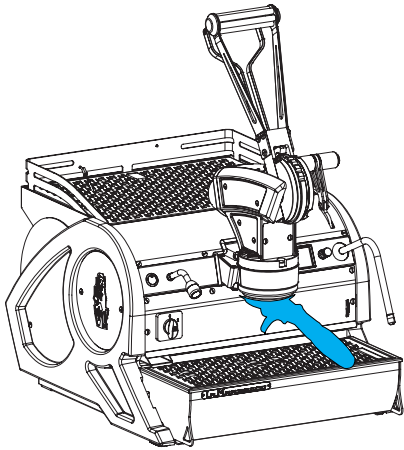
WARNING
The expansion valve can discharge water as hot as 200°F / 93°C. Adequate protection for handling this component is needed before attempting to adjust.

8

You may also monitor the steam boiler heating progress by watching the steam boiler pressure gauge. The steam boiler is set at approximately 1,4 Bar of pressure at the factory. Once the pressure gauge reaches this point the heating will stop.

**Steam boiler
pressure gauge**



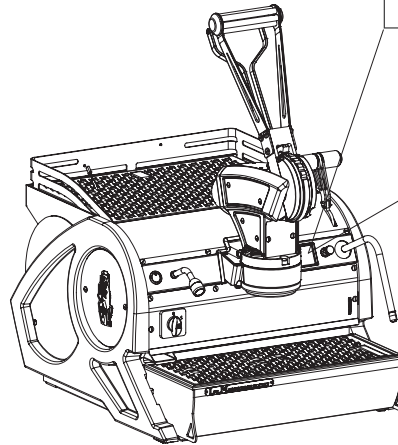


9

When the espresso machine is ready place ground coffee into the portafilter and activate the brewing process.

Coffee boiler
pressure gauge

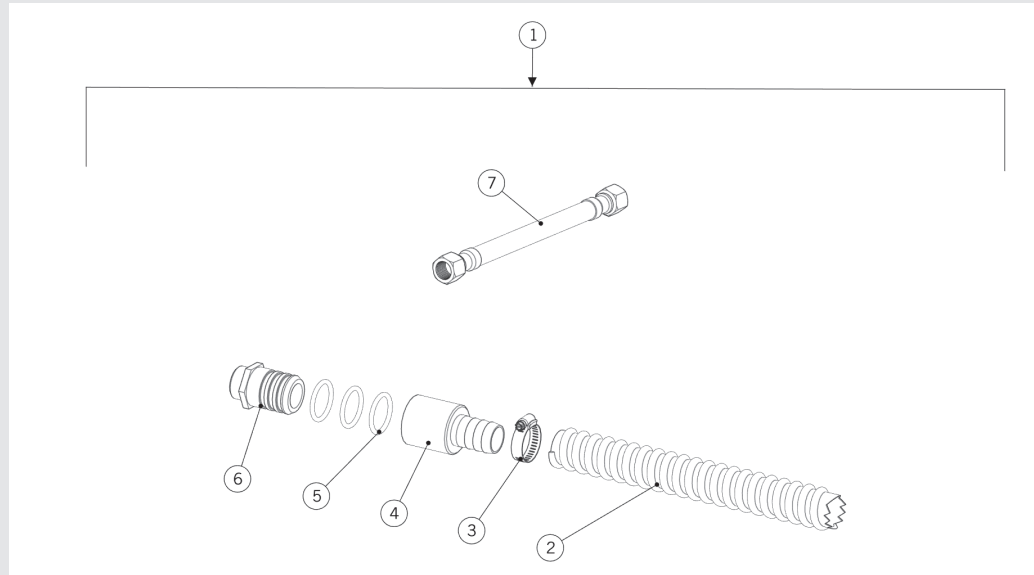
Brewing	93.2°C
0	1.4
SECONDS	BAR



10

When brewing, the coffee boiler pressure should be between 0-13 bar. The steam boiler pressure should be set at 1,4 bar but can operate at any setting between 1,3 bar and 2 bar.

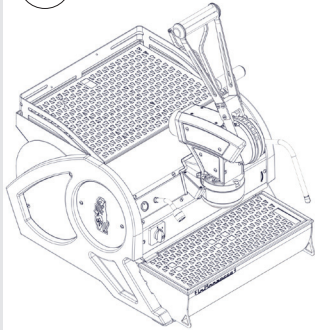
8. Water supply network kit







Item	Part number	Description
1	913	PLUMBING CONNECTION KIT CE
2	L308	CLEAR ARMoured DRAIN HOSE
3	L312	HOSE CLAMP
4	F.8.003	HOSE CONNECTOR QUICK CONNECTION
5	H.1.010.01	ORING 3087 (2-118) EPDM 70 SHA
6	F.8.002	DISCHARGE FITTING QUICK CONNECTION
7	L325	150CM S/S BRAIDED HOSE, G3/8-G1/4 GS3

9. Instructions for connection to the water supply network

1.

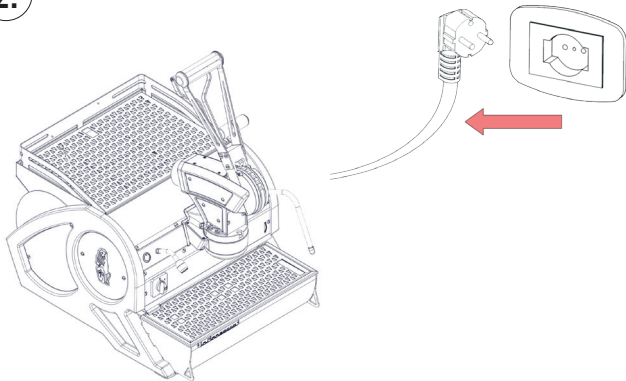


-  1. Flat screwdriver
-  2. Wrench 17 mm
-  3. Wrench 21 mm
-  4. Wrench 27 mm

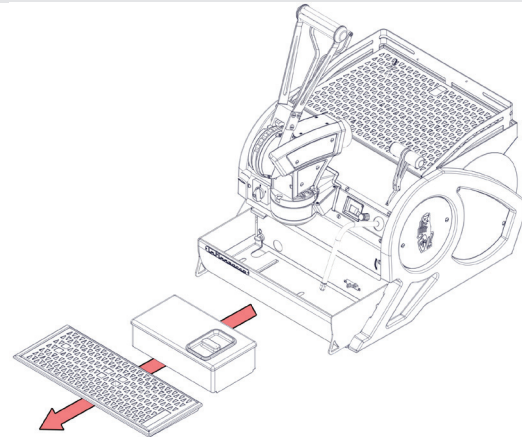
▲ WARNING ▲
Hazardous voltage disconnect from power supply before servicing.

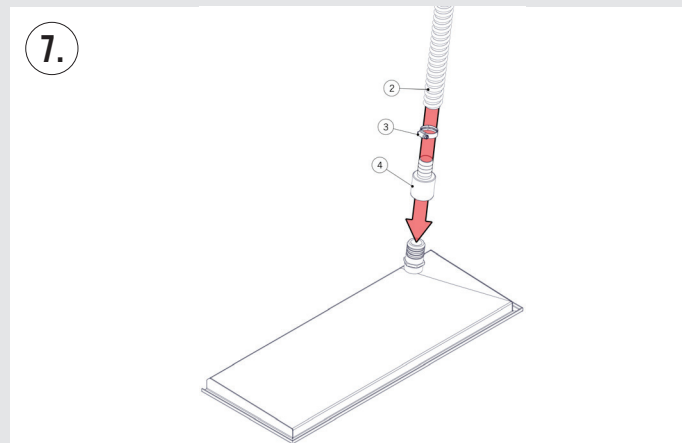
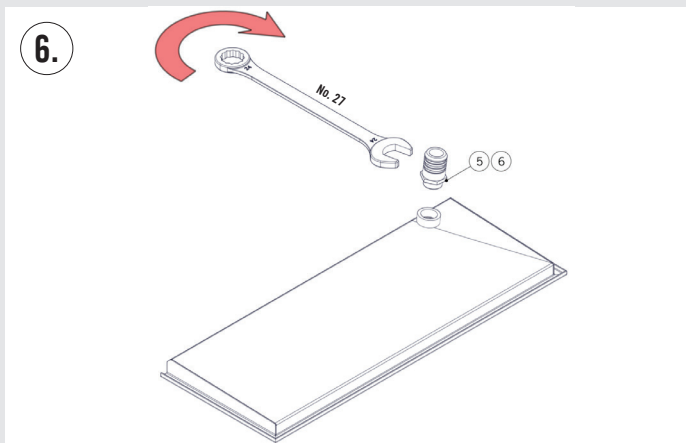
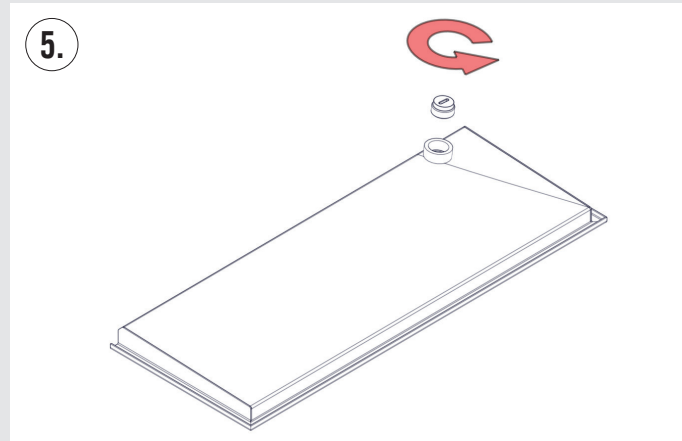
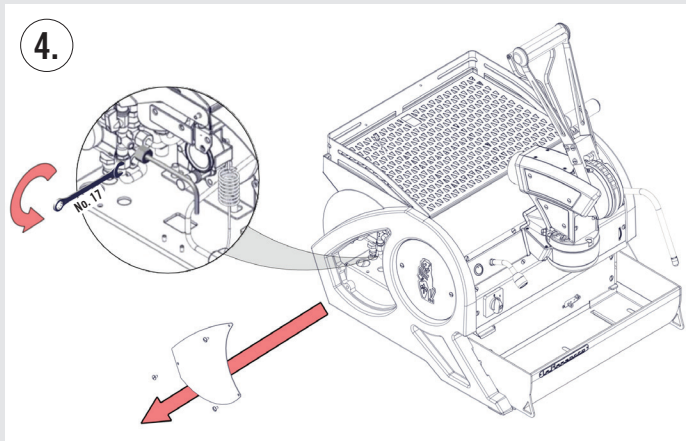
▲ WARNING ▲
The coffee boiler and steam boiler contain water at elevated temperature. Water temperature over 125°F / 52°C can cause severe burns instantly or death from scalding (Coffee Boiler 207°F / 97°C - Steam Boiler 256°F / 124°C).

2.

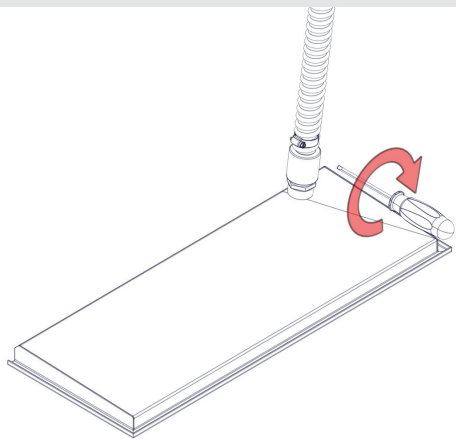


3.

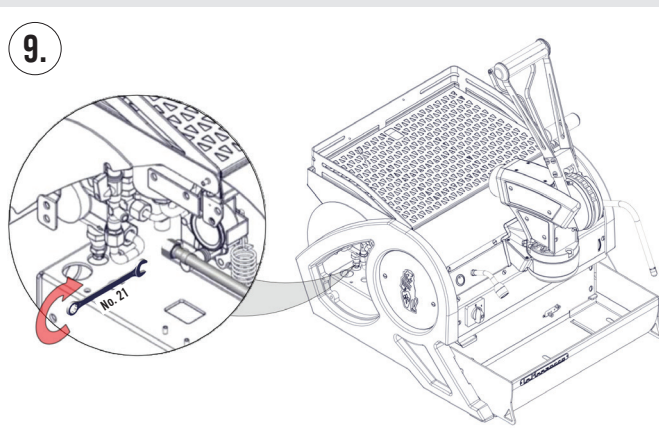




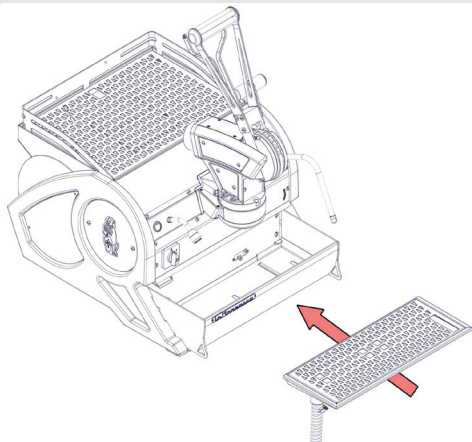
8.



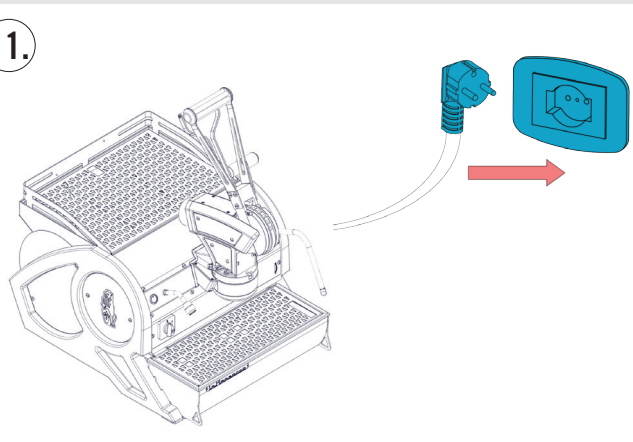
9.



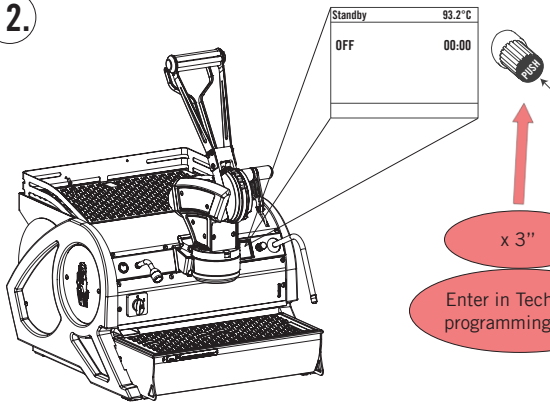
10.



11.



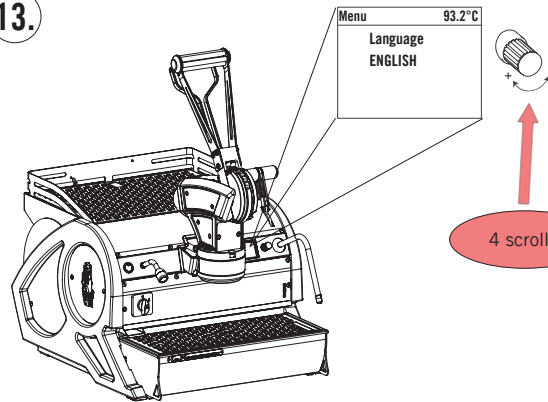
12.



x 3"

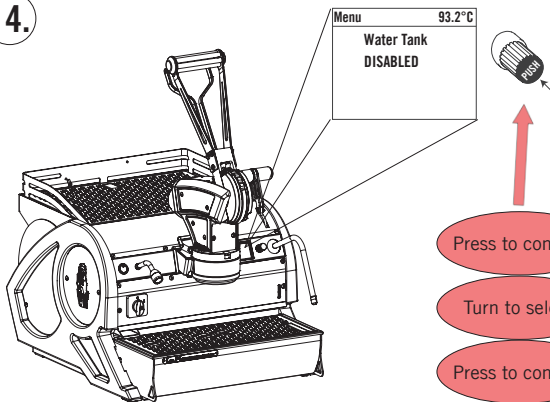
Enter in Technical programming level

13.



4 scrolls

14.

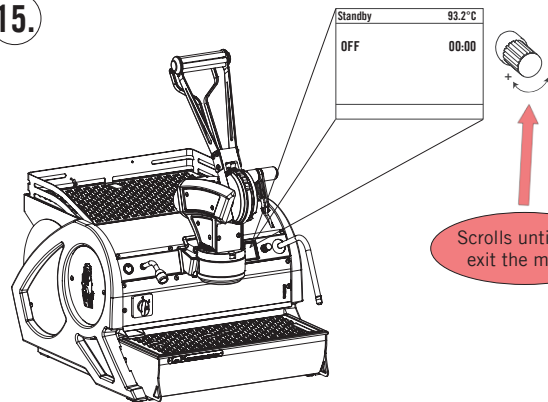


Press to confirm

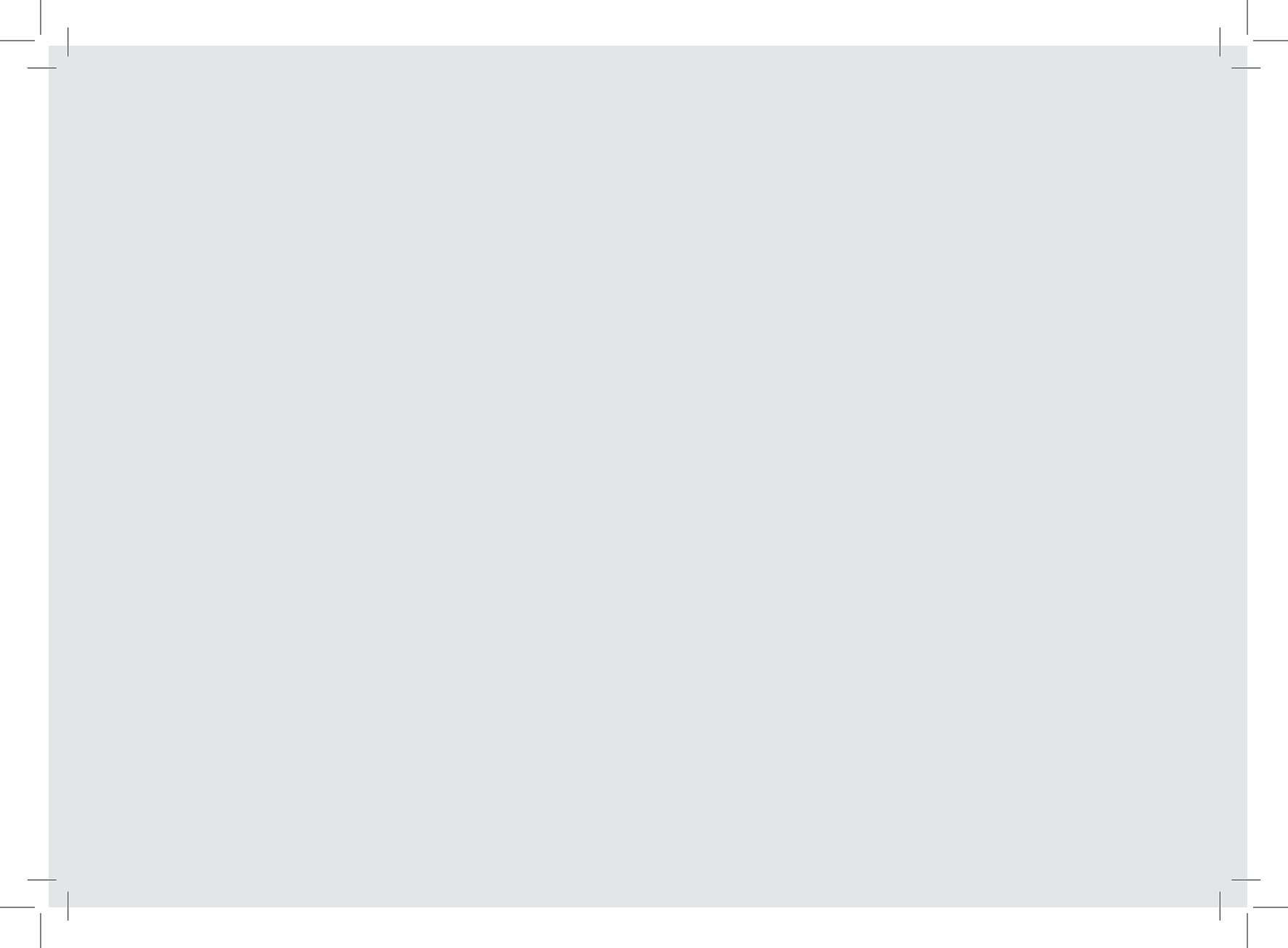
Turn to select

Press to confirm

15.



Scrolls until you exit the menu



manuel

leva 1 groupe

Le groupe Leva 1 est la machine à espresso à levier monogroupe la plus perfectionnée, avec raccordement des tuyaux d'eau et de vidange en option.

Le Leva est dédié aux passionnés du brassage du café, et offre une technologie à levier innovante pour ceux dont le but est de piloter une machine solide, mécanique, robuste mais sûre, fiable et conviviale.



la marzocco

handmade in florence

leva 1 groupe

Mode d'emploi V1.0 - 11/2019

Chapitres

- | | |
|--|---------|
| 1. Clauses de Sécurité Importantes | page 3 |
| 2. Informations Générales | page 5 |
| 3. Description de la Machine | page 8 |
| 4. Installation | page 9 |
| 5. Entretien Préventif et Nettoyage | page 13 |
| 6. Mise Hors Service et Au Rebut | page 16 |
| 7. Guide d'Installation | page 17 |
| 8. Kit Réseau de Distribution d'Eau | page 25 |
| 9. Instructions pour le raccordement au Réseau de Distribution d'Eau | page 26 |

ER

Ce manuel complémentaire contient des informations sur la version à un seul groupe de distribution. Pour toutes les autres informations vous devez consulter le mode d'emploi de LEVA.

certifications disponibles:



la marzocco

handmade in florence

La Marzocco S.r.l.

Via La Torre 14/H
Località La Torre
50038 Scarperia e San Piero
(Florence) - ITALY

www.lamarzocco.com
info@lamarzocco.com

T: +39 055 849 191
F: +39 055 849 1990

Instructions d'origine vérifiées par le fabricant.



Scannez le code QR pour afficher le Guide complet de Programmation du Logiciel disponible sur le site Internet de Techcenter.

Imprimé sur du papier recyclé.

ATTENTION
ENREGISTRER CES INSTRUCTIONS

CLAUSES DE SÉCURITÉ IMPORTANTES

Lorsque vous utilisez des appareils électriques, vous devez toujours observer des précautions de sécurité, qui incluent ce qui suit :

1. Lire toutes les instructions.
2. Ne pas toucher de surfaces chaudes. Utiliser des poignées ou des boutons.
3. Pour protéger les personnes des incendies, chocs électriques et blessures, ne pas immerger les cordons, prises dans l'eau ou un autre liquide.
4. Une étroite supervision est nécessaire en cas d'utilisation de l'appareil par des enfants ou près de ces derniers.
5. Débrancher de la prise secteur s'il n'est pas utilisé et avant de le nettoyer. Laisser refroidir l'appareil avant de mettre ou d'enlever des pièces, et avant de le nettoyer.
6. Ne pas faire fonctionner l'appareil avec un cordon ou une prise endommagée ou après que l'appareil ait mal fonctionné, ou ait été endommagée de quelque manière que ce soit. Retourner l'appareil à l'atelier de service le plus proche afin qu'il soit examiné, réparé ou réglé.
7. L'utilisation d'accessoires non recommandée par le fabricant de l'appareil peut entraîner un incendie, un choc électrique ou une blessure à la personne.
8. Ne pas utiliser à l'extérieur.
9. Ne pas laisser le cordon dépasser sur le côté d'une table ou d'un comptoir, ni toucher des surfaces chaudes.
10. Ne pas placer sur ou à côté d'un brûleur à gaz ou électrique chaud, ni dans un four chaud.

▲ ATTENTION ▲
ENREGISTRER CES INSTRUCTIONS

CLAUSES DE SÉCURITÉ IMPORTANTES

- 11. Toujours brancher l'appareil en premier avant de le raccorder à la prise secteur. Pour déconnecter, mettre tous les boutons sur « off » (arrêt), puis débrancher la fiche de la prise murale.
- 12. Ne pas utiliser l'appareil à des fins autres que celles pour lesquelles il a été conçu.
- 13. Conserver ces instructions
- 14. La zone de service est limitée aux personnes ayant une connaissance et une expérience pratique de l'appareil, en particulier en ce qui concerne la sécurité et l'hygiène.
- 15. L'appareil ne doit être installé qu'aux emplacements où son utilisation et son entretien sont limités à du personnel formé.

2. Informations Générales

ATTENTION

Le constructeur décline toute responsabilité en cas d'événements aboutissant à des poursuites en responsabilité civile si la mise à la terre n'a pas été effectuée conformément aux réglementations ou aux codes de l'électricité locaux, nationaux, et internationaux en vigueur, ou si d'autres pièces électriques ont été raccordées de manière incorrecte.

ATTENTION

Cette machine n'est pas appropriée à un usage externe. Il ne faut pas utiliser de jets d'eau pour nettoyer la machine, ni la positionner là où des jets d'eau sont utilisés.

ATTENTION

Cette machine doit être installée de façon à ce que le personnel technique puisse facilement y accéder pour l'entretien.

ATTENTION

La garantie sera nulle en cas de:

- Utilisation incorrecte, non conforme au but de conception;
- Utilisation de pièces de rechange non originales;
- Cordon d'alimentation altéré;
- Composant altérés;
- Réparations effectuées par du personnel non autorisé.

ATTENTION

Tension dangereuse débrancher de l'alimentation électrique avant de procéder à l'entretien.

ATTENTION

Afin de prévenir les fêlures ou les fuites: ne pas entreposer ou installer la machine à café dans des endroits où la température peut geler l'eau dans la chaudière ou dans le système hydraulique.

La machine à café espresso se compose principalement d'un groupe de distribution de l'eau chaude pour le café espresso et d'une bouilloire à vapeur qui peut fournir la vapeur et l'eau chaude pour les infusions.

Cette machine ne doit pas être installée dans les cuisines.

À propos du manuel

1) Cette notice de fonctionnement fait partie intégrante et essentielle du produit et doit donc être fournies à tous les utilisateurs. Les utilisateurs sont priés de lire attentivement les indications et les mises en garde ci-jointes car elles fournissent des informations importantes sur la sécurité pendant l'installation, le fonctionnement et l'entretien.

Ce manuel doit être conservé dans un endroit sûr de façon à pouvoir être consulté tant par les utilisateurs inexperts que par ceux qui connaissent déjà le fonctionnement du produit.

Déballer la machine

1) S'assurer que le produit soit intact en examinant l'emballage et en veillant à ce que celui-ci ne porte aucun signe d'endommagement qui aurait pu affecter la machine à l'intérieur.

2) Vérifier l'intégrité de la machine après avoir soigneusement enlevé l'emballage. L'emballage (boîtes, sacs en plastique, parties en mousse et autres) ne doit pas être laissé à la portée des enfants, en raison du danger potentiel qu'il représente, ni être dispersé dans l'environnement.

Mesures de sécurité

1) Vérifier que les données reportées sur la plaquette signalétique du produit correspondent à celles de l'installation électrique à laquelle sera raccordée la machine.

Cet appareil doit être installé conformément aux codes de plomberie fédéraux, nationaux ou locaux en vigueur.

2) L'installation de la machine doit se faire conformément aux règlements électriques et hydrauliques locaux. L'installation doit en outre être effectuée selon les instructions du fabricant et doit être effectuée par du personnel technique agréé et qualifié.

3) Une installation incorrecte peut être cause de blessures/dommages aux personnes, animaux ou objets, pour lesquels le fabricant est exempt de toute responsabilité.

4) Il sera possible d'obtenir un fonctionnement électrique sûr de

cet appareil seulement lorsqu'un raccordement correct au réseau électrique aura été effectué conformément aux codes et aux règlements de sécurité locaux, nationaux et internationaux et, de manière particulière, lorsque l'unité aura été mise à la terre. S'assurer que la mise à la terre a été effectuée car elle représente un élément de sécurité fondamental. Faire contrôler le branchement à du personnel qualifié.

5) S'assurer en outre que le système électrique ait une capacité suffisante à la puissance et à la consommation maximales indiquées sur la machine à café espresso.

6) L'utilisation d'adaptateurs, de prises multiples et/ou de rallonges est déconseillée. Si l'on ne peut en éviter l'utilisation, s'assurer qu'ils soient conformes aux codes et aux règlements de sécurité locaux, nationaux et internationaux en veillant à ne pas dépasser les tensions, puissances et absorptions indiquées sur ces adaptateurs et ces rallonges.

7) Cet appareil doit être exclusivement utilisé pour accomplir les fonctions pour lesquelles il a été conçu et fabriqué. Toute autre application est inappropriée et dangereuse.

Le fabricant est exempt de toute responsabilité en cas de dommage dérivant

d'un usage impropre et/ou irrationnel.

8) L'utilisation de tout appareil électrique prévoit l'observation de certaines règles fondamentales. En particulier :

- éviter de toucher l'appareil avec les mains ou les pieds mouillés ou humides
- ne pas utiliser l'appareil pieds-nus
- ne pas utiliser de rallonges dans la salle de bains ou les douches
- ne pas tirer sur le cordon d'alimentation pour débrancher l'appareil de la prise de courant
- ne pas exposer l'appareil aux agents atmosphériques
- ne pas permettre aux enfants ou aux personnes inexpertes d'utiliser l'appareil

9) Avant d'effectuer toute opération d'entretien ou de nettoyage (qui ne soient pas des opérations de lavage du groupe), régler l'interrupteur sur "0" et débrancher la machine du réseau électrique en enlevant la fiche de la prise ou en désactivant le disjoncteur. Pour les opérations de nettoyage, suivre uniquement les instructions indiquées dans ce manuel.

10) Si la machine ne fonctionne pas correctement ou arrête de fonctionner, la débrancher du réseau électrique (comme décrit au point précédent). Ne pas essayer de la réparer. Contacter un professionnel agréé et qualifié pour effectuer toute

réparation. Toute réparation doit être effectuée par le fabricant ou par un centre agréé en utilisant que des pièces originales. Dans le cas contraire, le bon fonctionnement de la machine pourrait être compromis.

11) Afin d'éviter de dangereux problèmes de surchauffe, il est recommandé de ne pas enrouler ou plier entièrement le cordon d'alimentation.

12) Ne pas obstruer les grilles d'aspiration et de dissipation et ne pas couvrir le niveau chauffe-tasses avec des chiffons ou autres objets.

13) Le cordon d'alimentation de la machine ne doit pas être remplacé par les utilisateurs. Si le cordon d'alimentation est endommagé, éteindre la machine et la débrancher du réseau électrique en enlevant la fiche de la prise ou en désactivant le disjoncteur correspondant et fermer le circuit de l'eau ; pour remplacer le cordon d'alimentation, contacter seulement des professionnels qualifiés.

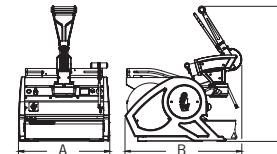
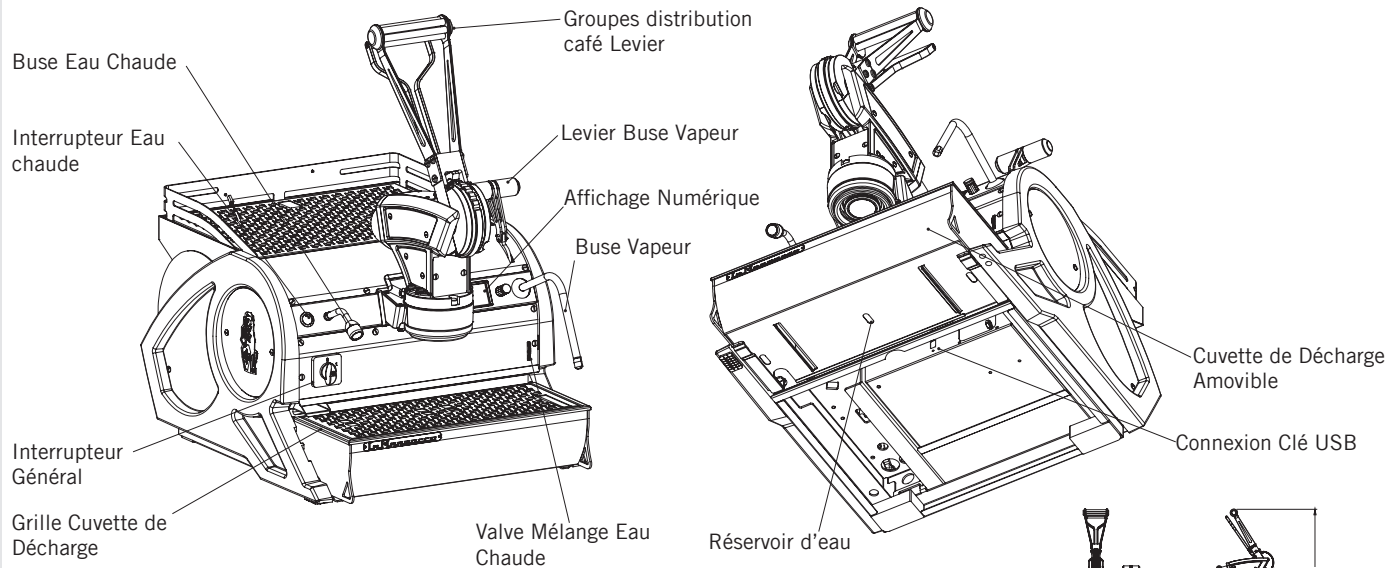
14) Ces instructions sont également disponibles dans un autre format sur un site Web.
<http://techcenter.lamarzocco.com>.

Tableau des caractéristiques de l'eau

		Min.	Max.
T.D.S. (Total solides dissous)	ppm	90	150
Dureté totale	ppm	70	100
Total de teneur en fer (Fe ⁺² /Fe ⁺³)	ppm	0	0,02
Chlore libre (Cl ₂)	ppm	0	0,05
Total de teneur en chlore (Cl ₂)	ppm	0	0,1
pH	valeur	6,5	8,5
Alcalinité	ppm	40	80
Chlorure (Cl ⁻)	ppm	non supérieure	30

Note: Tester la qualité de l'eau (la garantie est nulle si les paramètres de l'eau ne se situent pas dans la plage de valeurs indiquée à la section "installation")

3. Description de la Machine



MODÈLE/SERIE	GROUPE	V/Hz	PUISSANCE NOMINALE (W)	ENTRÉE NOMINALE (A)	PUISSANCE CHAUDIÈRE CAFE	PUISSANCE CHAUDIÈRE VAPEUR	PUISSANCE TOTALE	DIMENSION CABLE D'ALIMENTATION ELECTRIQUE (mm²)
LEVA X	1GR	AC 220-240V	2300	10	800	1000	2300	POUR DES INSTRUCTIONS PLUS DETAILEES VOIR LES RACCORDEMENTS ELECTRIQUES

LEVA	1 group
A [mm]	522
B [mm]	671
C [mm]	776
POIDS [kg]	67

Figure 1 - Description de la Machine

4. Installation

ATTENTION
La machine à café doit être placée en position horizontale sur un comptoir dont la hauteur depuis le sol soit supérieure à 80cm.

ATTENTION
La valve d'expansion peut décharger de l'eau chauffée à 93°C. Une protection adéquate est nécessaire pour manipuler ce composant avant de procéder au réglage.

ATTENTION
Cette machine n'est pas appropriée à un usage externe.

Note:

- Température ambiante minimum: **5°C**
- Température ambiante maximum: **32°C**
- Le niveau de pression acoustique pondéré de la machine est inférieur à 70dBA.

ATTENTION
La machine est prévue pour être raccordée de façon permanente à un câblage fixe.
Est obligatoire d'installer un dispositif différentiel résiduel (DDR) avec un courant nominal de fonctionnement résiduel ne dépassant pas 30mA.

Installation de la machine à café espresso, LEVA 1 group

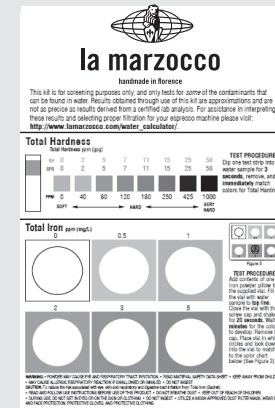
1) Remplir le réservoir d'eau potable.

Après avoir enlevé l'emballage de la machine à café placée sur une surface résistante. Enlever la cuvette de décharge et faire s'écouler le réservoir de l'eau jusqu'à ce qu'il soit possible d'enlever le couvercle. Enlever le couvercle et remplir le réservoir avec de l'eau potable. Replacer le couvercle et faire glisser le réservoir de l'eau en position de travail et réinsérer la cuvette de décharge. De manière à brancher la machine au réseau de distribution d'eau selon les instructions indiquées dans le Guide d'Installation et conformément à toutes les normes de sécurité locales/nationales du lieu où la machine est installée.

Pour garantir un fonctionnement correct et sur de la machine et pour maintenir un

rendement adéquat et une qualité élevée des boissons préparées, il est important que l'eau d'arrivée ait une dureté supérieure à 7° f (70 ppm, 4°d) et inférieure à 10°f (100ppm, 6°d), le pH devrait être compris entre 6,5 et 8,5 et la quantité de chlorure inférieure à 30mg/l. Le respect de ces valeurs permet un fonctionnement optimal de la machine. Si ces paramètres ne sont pas présents, un dispositif de filtrage spécifique devrait être installé qui respectera toujours les normes locales et nationales sur l'eau potable.

Pour pouvoir garantir que l'eau qui entre dans la machine rentre dans les paramètres préétablis, toutes les machines La Marzocco seront équipées de 2 kits pour l'analyse de l'eau (voir image) qui comprennent cha-



cun 6 bandes de mesure et une carte contenant le mode d'emploi.

Les paramètres qui pourront être mesurés sont, Dureté Totale, Fer, Chlore libre, Chlore Total, pH & Alcalinité totale, Chlorures.

Le test de l'eau doit être effectué en amont du système de traitement que vous utiliserez, et en aval, afin de vérifier si les paramètres de l'eau qui entre dans la machine à café rentrent dans ceux recommandés par La Marzocco.

Une fois les tests effectués il est possible de contrôler quel système de filtrage soit le plus approprié, en saisissant les paramètres obtenus au moyen du Kit sur notre site "LA MARZOCCO WATER CALCULATOR" (http://www.lamarzocco.com/water_calculator/).

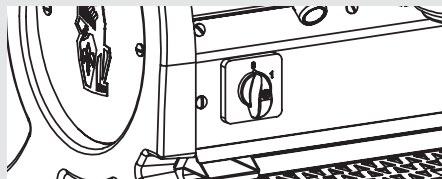
2) Raccorder la machine à café espresso au réseau électrique.

Brancher la machine à café espresso à un circuit électrique qui ait les caractéristiques appropriées à celles reportées sur la plaque de la machine.

3) Remplir les chaudières d'eau.

Pour remplir correctement les chaudières, effectuer les opérations suivantes:

Chaudière à vapeur: régler l'interrupteur principal sur "1", le système du niveau de la chaudière à vapeur automatique se mettra en marche activant l'électrovanne de remplissage automatique et la pompe à eau. Cette dernière remplira la chaudière à vapeur à un niveau prédéterminé et

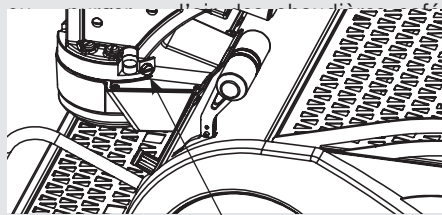


s'arrêtera quand il sera plein.

NOTE: Il se pourrait qu'il soit nécessaire d'ajouter de l'eau dans le réservoir pendant ce procédé.

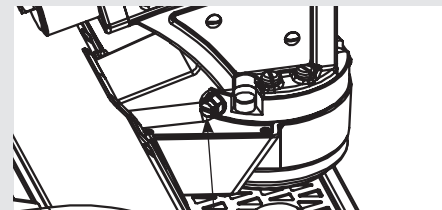
Chaudière Café: L'eau s'écoule directement dans la chaudière café dès que les robinets du système d'eau et de l'épurateur (le cas échéant) sont ouverts.

Puisque l'entrée d'eau comprime l'air à l'intérieur de la chaudière, il faudra évacuer



Vis de purge

Desserrer les vis d'évacuation d'air une à la fois pour permettre la sortie de l'air jusqu'à ce que l'eau sorte du dessous de la tête de la vis. Serrer la vis pour arrêter l'écoulement de l'eau. Visser la vis de manière excessive peut endommager la rondelle d'étanchéité et le couvercle du groupe. Répéter cette procédure sur tous les groupes.



Vis de purge

AVERTISSEMENT: de l'eau chaude ou de la vapeur sous pression s'écoulera inévitablement, donc:

- Protéger votre corps avec des vêtements appropriés et/ou rester éloigné,
- Porter des gants protégeant de la chaleur,
- Garder les parties du corps exposées, comme votre visage, éloignées.

4) Vérifier le remplissage des chaudières.

L'installation est à présent achevée et la machine à café espresso devrait atteindre les températures de fonctionnement.

Brassage après la première installation

Dès que les premières procédures d'installation sont terminées, avant de procéder au brassage du café, de l'eau chaude et de la vapeur, effectuer les opérations suivantes :

- Engager le porte-filtre en l'insérant dans la tête du groupe et tourner la poignée de la gauche vers la droite. Dès que le porte-filtre est correctement en place, vous pouvez déplacer le panneau vers la gauche pour activer l'écoulement de l'eau à travers le porte-filtre. Brasser l'eau à travers le groupe pendant au moins deux minutes.

- En veillant à ne pas se brûler, tourner chaque buse à vapeur pendant au moins une minute.
- Tourner la valve de l'eau chaude pendant le temps qu'il faudra pour permettre de brasser au moins 1 litre d'eau.

5) En attendant que la machine à café espresso se réchauffe et atteigne la température de fonctionnement.

Pendant le chauffage, il se pourrait que l'aiguille du manomètre relative à la chaudière café atteigne 14-15 bar. Ceci pourrait se vérifier chaque fois que l'élément de chauffe est en condition "on". Dans ce cas, il faut régler la soupape d'expansion (voir l'image ci-dessous relative aux soupapes d'expansion des trois chaudières café) de façon à ce que la pression ne dépasse jamais 6 bar.

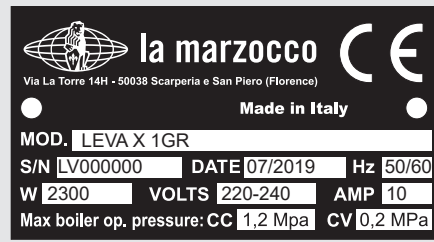
La pression de la chaudière vapeur peut être lue au moyen d'un manomètre situé à l'intérieur de la machine, derrière la commande et le 1er groupe.

Lorsque la chaudière vapeur atteint la température de fonctionnement, le voyant lumineux sur le bouton de distribution du eau chaude s'allumera.

NOTE: Lorsque la chaudière à vapeur atteint la température de fonctionnement, il est possible que l'on entende de l'air de la vapeur sortir de la chaudière. Il s'agit d'un bruit normal. Lorsque l'eau bout, l'air de la chaudière est remplacée par de la vapeur et sort par la soupape de décompression. Lorsque la chaudière se rapproche de la température de fonctionnement, la soupape de

décompression se ferme et la vapeur n'arrive plus à sortir. Ce procédé permet à l'air dans la chaudière à vapeur de sortir et d'être remplacé par de la vapeur d'eau.

6) Plaque CE de la machine:



7) Réglage de la valve d'expansion.

La valve d'expansion est un composant qui limite la pression maximum à l'intérieur

du groupe café. Le chauffage du groupe café fait en sorte que l'eau à l'intérieur augmente. Étant donné que le groupe est complètement saturée, l'expansion de l'eau porte donc à une augmentation de la pression à l'intérieur de la chaudière. Sans un dispositif de sécurité, l'augmentation de la pression pourrait causer une rupture de la chaudière. La pression à l'intérieur du groupe café ne devrait jamais dépasser 6 bar. La valve est très chaude et donc, en utilisant une protection adéquate, tourner la valve d'expansion dans le sens des aiguilles d'une montre pour augmenter la pression. Pour diminuer la pression, tourner la valve d'expansion dans le sens contraire des aiguilles d'une montre (Voir le diagramme qui suit).

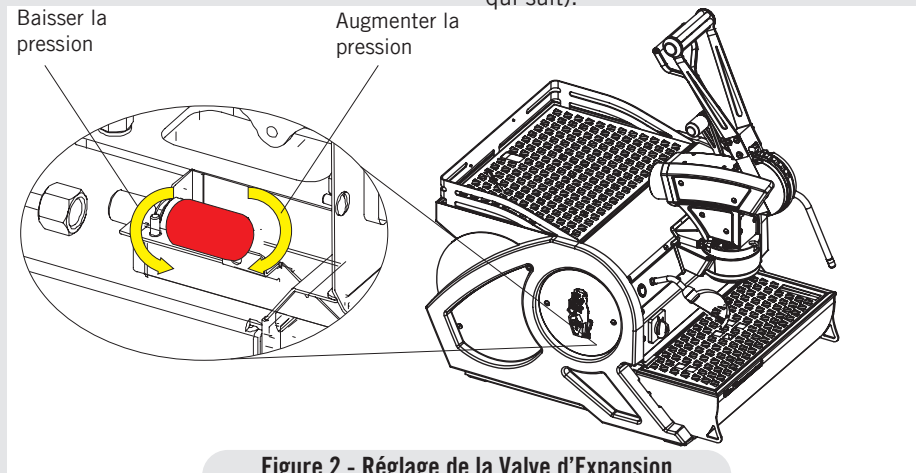


Figure 2 - Réglage de la Valve d'Expansion

8) Réglage de la pression de la pompe à eau

La pompe à eau est réglée en usine à une pression de 3 bar. S'il s'avère nécessaire de modifier la pression, recourir à la procédure suivante:

1. Enlever le plateau supérieur et le plateau inférieur.
2. Repérer la vis de réglage de la pompe à

eau et desserrer l'écrou qui la bloque.

3. Régler la pression de la pompe à eau au niveau désiré.
4. Tourner dans le sens des aiguilles d'une montre pour augmenter la pression et dans le sens contraire des aiguilles d'une montre pour la baisser.

NOTE: La pression de la pompe à eau doit être réglée lorsque la machine est en extraction avec du café dans le porte-filtre.

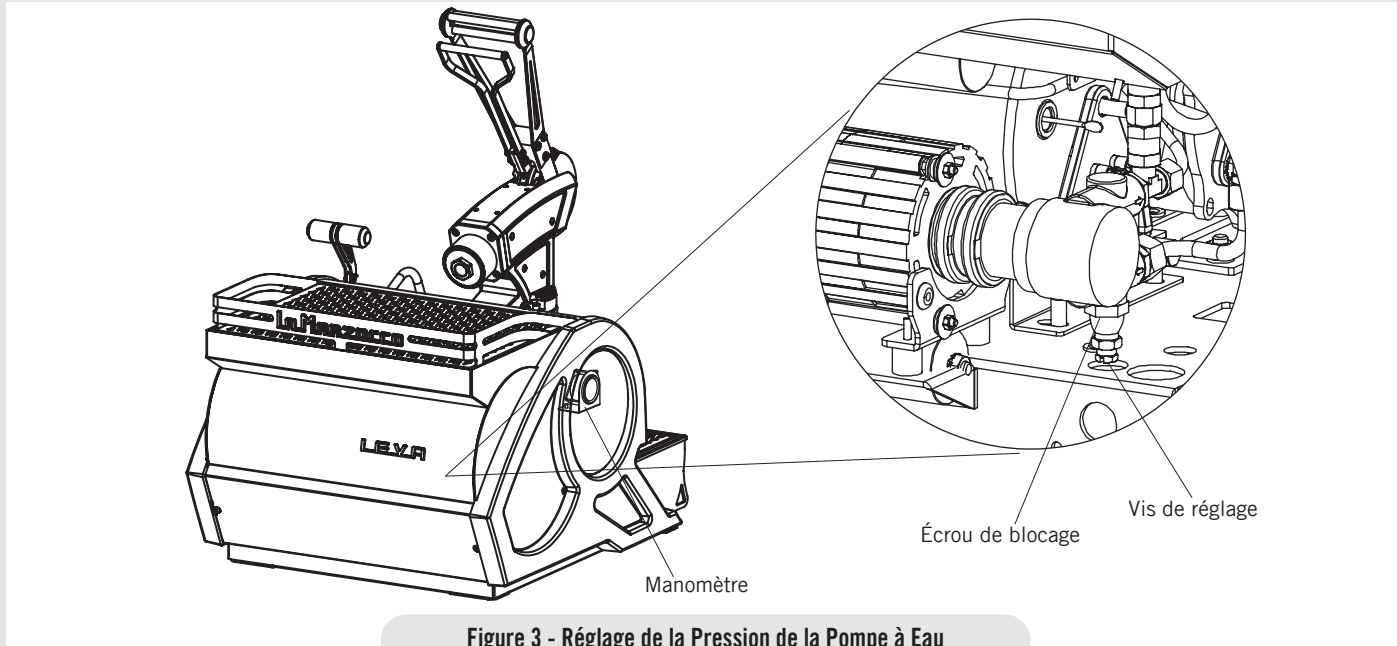


Figure 3 - Réglage de la Pression de la Pompe à Eau

5. Entretien Préventif et Nettoyage

ATTENTION
Il ne faut pas utiliser de jets d'eau pour nettoyer la machine, ni la positionner là où des jets d'eau sont utilisés.

ATTENTION
Ne pas enlever le porte-filtre pendant que le groupe correspondant distribue des liquides chauds. Le groupe café contient de l'eau à une température élevée. Une température de l'eau supérieure à 52°C peut causer instantanément de graves brûlures ou la mort par ébullition.

ATTENTION
La machine ne doit pas être plongée dans l'eau, ni éplaboussée afin de la nettoyer. Pour les opérations de nettoyage, veuillez suivre les instructions suivantes très attentivement.

ATTENTION
Cette machine est conçue uniquement pour la préparation de café et de boissons chaudes.

ATTENTION
La valve d'expansion peut décharger de l'eau chauffée à 93°C. Une protection adéquate est nécessaire pour manipuler ce composant avant de procéder au réglage.

1) Nettoyage des groupes et des écrans du diffuseur

- Retirer l'écran du diffuseur et laver-le séparément comme décrit plus en détail ci-dessous.

- À l'aide d'un chiffon doux et humide, nettoyer la surface du piston située sous l'écran du diffuseur retiré.

- Dévisser la vis siphon.

- Ajouter une cuillère de détergent en poudre spécifique à l'espresso au filtre aveugle dans le porte-filtre (en suivant les instructions fournies par le fabricant du produit), puis insérer le porte-filtre dans le groupe que vous souhaitez nettoyer.

Insérer le porte-filtre dans le groupe que vous souhaitez nettoyer.

En actionnant le levier, relever et abaisser le piston plusieurs fois jusqu'à ce que l'eau qui s'écoule hors du siphon soit claire et ne contienne pas de détergent.

AVERTISSEMENT: pendant cette étape, ne relâcher pas le levier. Le système ne peut

pas générer suffisamment de contre-pression pour empêcher le martèlement, ce qui pourrait endommager la machine.

2) Nettoyage filtres

- Mettre 2 ou 3 cuillères à café de détergent en poudre spécifique pour espresso dans 1/2 litre d'eau à l'intérieur d'un récipient résistant à la chaleur et faire bouillir.

- Immerger complètement les filtres dans la susdite solution pendant 30 minutes environ.

- Rincer abondamment à l'eau claire et, en remontant les porte-filtres avec les filtres dans les groupes, actionner plusieurs fois le débit.

- Faire un café pour éliminer les goûts désagréables.

3) Nettoyage des porte-filtres

Utiliser l'instrument spécifique pour le nettoyage (brosse), laver les porte-filtres sous l'eau chaude, il est possible d'utiliser un produit détergent neutre. Pour un nettoyage extraordinaire, voir le manuel du porte-filtre.

4) Nettoyage de la cuvette de décharge

Pour le nettoyage, enlever la cuvette de décharge au moins deux fois par semaine, nettoyer aussi la cuve de l'eau de purge

en éliminant l'éventuelle vase des fonds à l'aide d'une cuillère.

5) Nettoyage de la carrosserie

Utiliser un chiffon doux en le passant dans le sens de l'éventuel satinage des surfaces en acier inoxydable. En aucun cas, n'utiliser de l'alcool ou des solvants sur les parties peintes ou celles portant des indications pour éviter de les endommager.

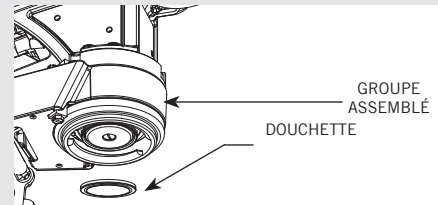
6) Nettoyage des lances vapeur et eau chaude

Les lances de la vapeur doivent être nettoyées tout de suite après l'usage au moyen d'un chiffon humide et en faisant brièvement sortir la vapeur afin d'éviter la formation d'incrustations dans les orifices des buses qui pourraient altérer le goût d'autres boissons en chauffe. Les becs de l'eau chaude doivent être nettoyés périodiquement à l'aide d'un chiffon humide.

7) Nettoyage des douchettes de distribution

Pendant l'utilisation normale, les résidus de café peuvent tacher l'écran du diffuseur et la partie inférieure du piston. Pour les nettoyer, vous devrez enlever l'écran du diffuseur en utilisant l'outil approprié fourni. Ensuite, nettoyer l'écran du diffuseur avec le détergent en poudre; nettoyer également la surface inférieure du piston avec une éponge humide (non abrasive).

Rincer abondamment à l'eau avant de réinstaller l'écran du diffuseur. Après l'avoir réinstallé et en veillant à ce que le ressort s'enclenche, actionner le groupe plusieurs fois pour le rincer.



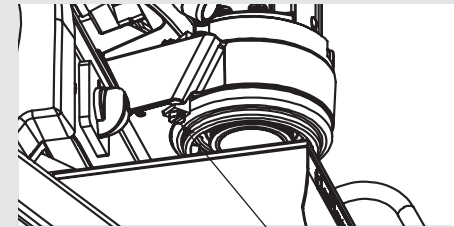
AVERTISSEMENT: si vous effectuez la procédure de nettoyage pendant que la machine est chaude, l'écran du diffuseur, les pièces qui l'entourent et l'eau de rinçage seront chauds. Protégez-vous en portant des gants.

8) Nettoyage du manomètre / siphon du transducteur

Si vous remarquez un défaut de fonctionnement dans le manomètre de distribution ou dans le transducteur, cela pourrait être dû au fait que le conduit est totalement ou partiellement obstrué par les résidus de café. Dans ce cas, procéder comme suit:

- Installer un porte-filtre aveugle
- Dévisser la vis indiquée par la flèche
- Utiliser le levier pour effectuer un rinçage.
- Une fois le rinçage terminé, tourner la vis à nouveau.

Effectuer un test en distribuant un café



Siphon Screw

AVERTISSEMENT: si le nettoyage est effectué lorsque la machine est chaude, l'eau qui coule hors de la vis sera chaude.

AVERTISSEMENT: si le nettoyage est effectué lorsque la machine est chaude, la vis sera chaude; porter des gants.

9) Épurateur/Adoucisseur d'Eau

Prière de consulter la documentation accompagnant l'épurateur/adoucisseur d'eau pour un fonctionnement et des instructions de nettoyage corrects.

• **Drainage de la chaudière à vapeur:** pour activer cette fonction, entrer dans le menu de programmation. On recommande de vider complètement un fois chaque année la chaudière vapeur à l'aide du robinet placé de côté ou sous la chaudière même.

10) Dépressurisation de la chaudière vapeur

Pour dépressuriser la chaudière vapeur maintenir enfoncé le bouton de l'encodeur et actionner le levier de distribution pour vapeur.

11) Nettoyage du réservoir d'eau et de la cuvette de décharge

Le réservoir d'eau doit être nettoyé périodiquement pour s'assurer qu'il n'y ait pas de résidus sur les parois internes. Tout d'abord, ôter le réservoir d'eau de la machine. Débrancher le flexible de l'eau en plastique.

Laver chaque pièce à la main avec de l'eau contenant du savon doux.

IMPORTANT

Si la machine n'est pas actionnée pendant une longue période de temps, il est opportun de suivre les indications de sécurité suivantes:

- Débrancher la machine du réseau de distribution d'eau ou interrompre dans tous les cas le raccordement de l'eau;
- débrancher électriquement la machine du réseau électrique.

Fréquence de nettoyage

Quotidiennement

- Porte-filtre
- Filtre
- Douchette de distribution
- Vis du distributeur
- Buse vapeur (juste après l'utilisation)
- Égouttoir

Hebdomadairement

- Réservoir d'Eau
- Cuvette de Décharge

Mensuellement

- Nettoyage de la buse à eau chaude

6. Mise Hors Service et Au Rebut

1) Mise hors service et au rebut

Régler préalablement en position "0" ou "OFF" l'interrupteur général.

Débranchement de l'alimentation électrique

Débrancher la machine pour espresso du réseau électrique au moyen de l'interrupteur général ou du dispositif du circuit associé. Retirer le câble d'alimentation de la connexion électrique.

Débranchement de l'installation d'eau

Fermer l'alimentation de l'eau à l'aide du robinet correspondant avant l'entrée de l'eau/adoucisseur. Débrancher le tuyau de l'eau à l'entrée de l'eau/adoucisseur. Procéder au démontage du tuyau de vidange de la cuve.

À ce stade, la machine peut être enlevée du comptoir en veillant à ce qu'elle ne tombe pas pendant les opérations.

La machine se compose de différents matériaux, par conséquent, si sa réutilisation n'est pas prévue, elle doit être amenée dans une entreprise spécialisée qui la démontera en divisant les matériaux pour éventuellement les récupérer ou les mettre au rebut dans des installations spéciales.

Il est absolument interdit par les normes en vigueur d'abandonner la machine dans un endroit public ou tout autre lieu de tierces personnes.

Avis de recyclage :

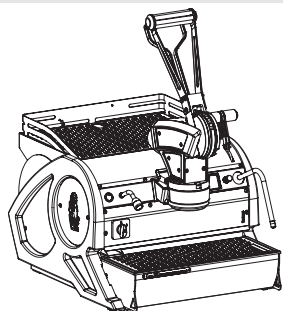
Mise en garde pour la Protection de l'Environnement.

Les vieux appareils électriques composés de matériaux précieux n'entrent pas dans la catégorie des déchets domestiques normaux ! Nous prions donc les clients de contribuer à la sauvegarde de l'environnement et des ressources et d'apporter cet appareil auprès des centres de récolte compétents si présents sur le territoire.



7. Guide d'Installation

1. Déballer la Machine Espresso LEVA	page 18	6. Surveiller pression groupe café	page 21
2. Remplir d'eau (remplissage initial)	page 18	7. Régler la valve d'expansion	page 22
3. Alignement	page 19	8. Écran pression chaudière vapeur	page 23
4. Brancher au réseau électrique	page 19	9 . Distribution espresso	page 24
5. Activer l'alimentation	page 20	10. Vérifier fonctionnement pressions chaudière	page 24

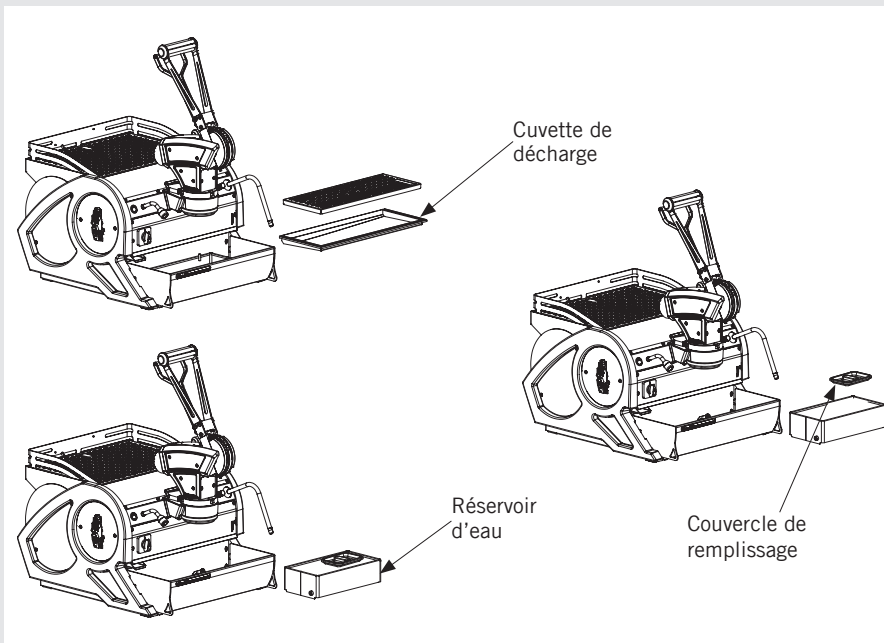


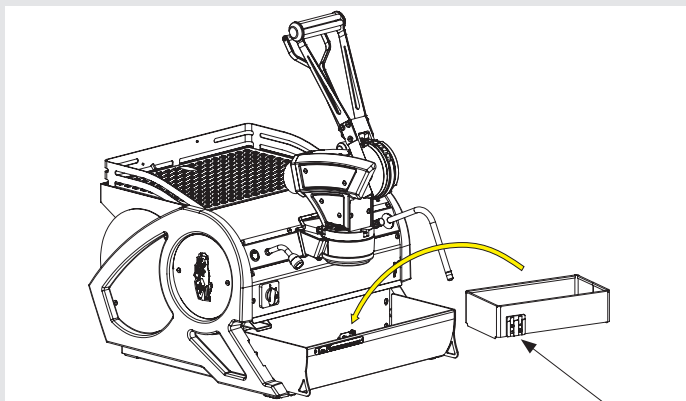
- 1** Déballez la machine espresso et la placez sur une surface nivelée. S'assurer que tous les accessoires sont inclus dans l'envoi. Vérifier visuellement si la machine espresso est endommagée.

ATTENTION
 ▲ La machine à café doit être placée en position horizontale sur un comptoir dont la hauteur depuis le sol soit supérieure à 80cm. ▲

- 2** Enlever/Ouvrir le couvercle de remplissage et remplir le réservoir avec de l'eau filtrée. Glisser et remettre en place le réservoir et remplacer la cuvette de décharge. S'assurer que la cuvette de décharge est complètement insérée. Le réservoir d'eau doit être en contact avec les indicateurs de niveau à l'arrière.

N.B.: La LEVA 1 groupe est configurée pour fonctionner avec le réservoir d'eau.





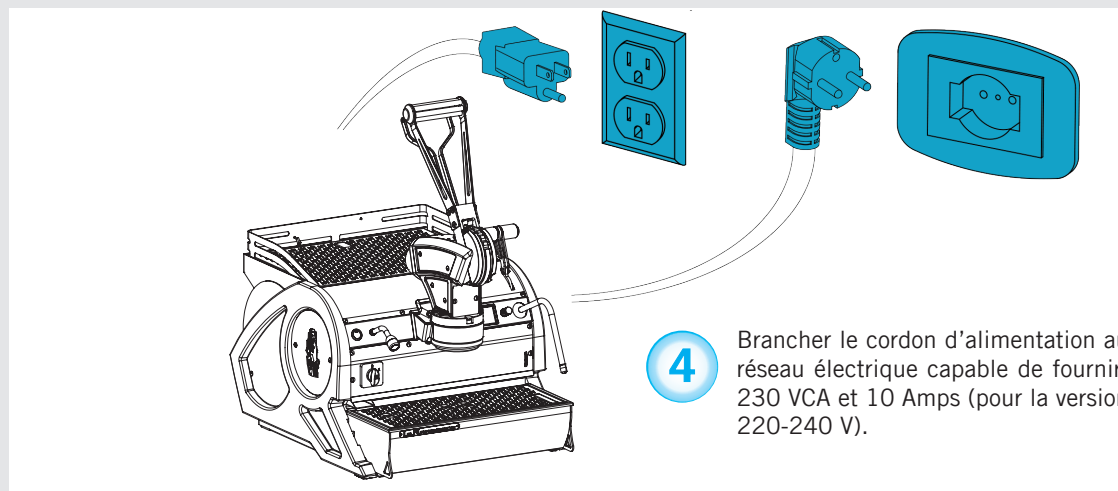
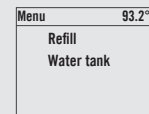
Indicateurs de niveau

3

REMARQUE IMPORTANTE:

La cuvette de vidange doit être correctement installée pour que la machine puisse bien fonctionner. S'assurer que la cuvette de décharge est complètement insérée. Le réservoir d'eau doit être en contact avec les indicateurs de niveau à l'arrière.

Si le réservoir d'eau est vide l'écran affichera l'alarme suivante.

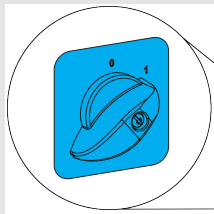


4

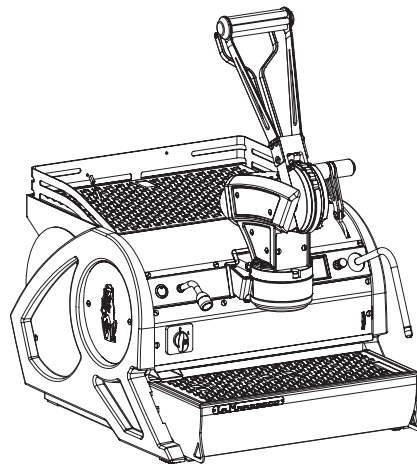
Brancher le cordon d'alimentation au réseau électrique capable de fournir: 230 VCA et 10 Amps (pour la version 220-240 V).

ATTENTION

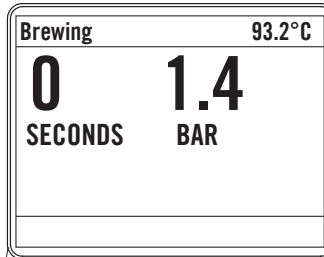
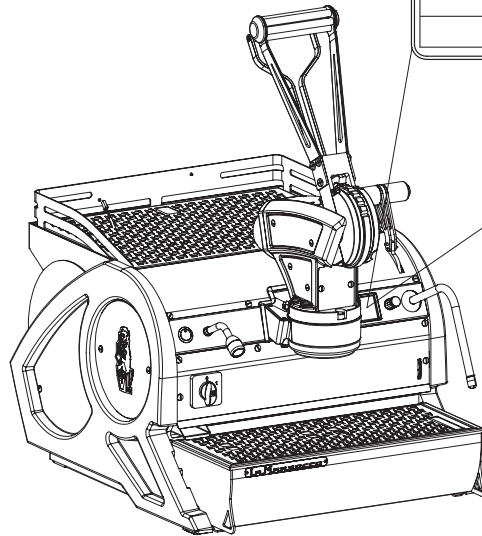
Le constructeur décline toute responsabilité en cas d'événements aboutissant à des poursuites en responsabilité civile si la mise à la terre n'a pas été effectuée conformément aux réglementations ou aux codes de l'électricité locaux, nationaux, et internationaux en vigueur, ou si d'autres pièces électriques ont été raccordées de manière incorrecte.

**5**

Activer l'alimentation électrique en tournant l'interrupteur principal sur la position 1. L'interrupteur principal peut être localisé à l'avant gauche de la machine.



Manomètre chaudière café

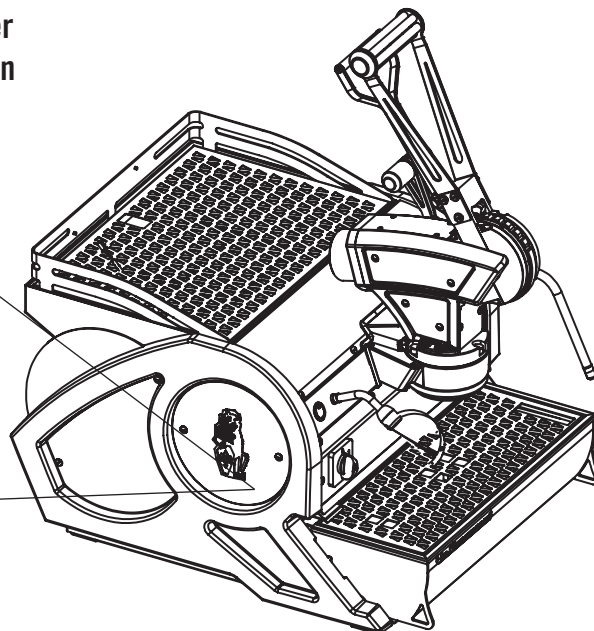
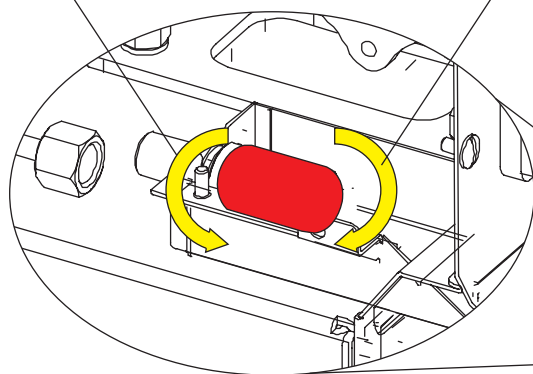


6

Il sera ensuite nécessaire de vérifier la valve d'expansion. Le groupe café chauffant et atteignant la température de service, la pression augmentera dans le groupe café. Une soupape d'expansion est placée derrière le plateau de drainage qui permet à l'eau de sortir pendant cette opération afin de limiter la pression maximum dans le groupe café à 6 bars. Vérifier le manomètre du groupe café pendant le processus de chauffe. L'aiguille devrait s'approcher de 6 bar et s'arrêter. Si le manomètre n'atteint pas 6 bar ou s'il dépasse 6 bar, il faudra alors régler la soupape d'expansion. Veuillez suivre l'opération suivante afin de régler correctement la soupape d'expansion.

Baisser la
pression

Augmenter
la pression



7

Veillez suivre cette procédure s'il était nécessaire de régler la soupape d'expansion. Retire d'abord la cuvette de décharge pour accéder à la soupape d'expansion. La soupape d'expansion dépasse de la tôle, a la forme d'un hexagone, est en cuivre et en 18 mm (outil). La soupape sera brûlante et par conséquent, en utilisant une protection adéquate pour régler la soupape d'expansion, tourner la soupape dans le sens des aiguilles d'une montre pour augmenter la pression et dans le sens contraire pour la baisser. Il peut être nécessaire d'utiliser une clé pour tourner la soupape d'expansion d'1/4 de tour ou moins d'incrémentes jusqu'à ce que la pression désirée soit atteinte. Replacer la cuvette de décharge après chaque réglage pour assurer le fonctionnement correct de la machine.

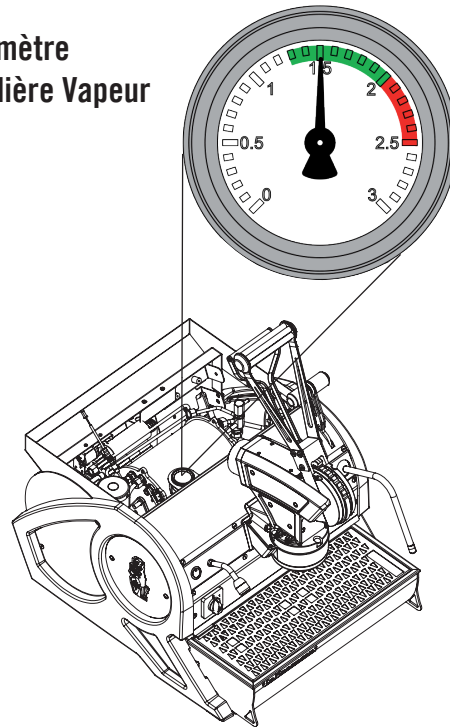
ATTENTION
La valve d'expansion peut décharger de l'eau chauffée à 93°C. Une protection adéquate est nécessaire pour manipuler ce composant avant de procéder au réglage.

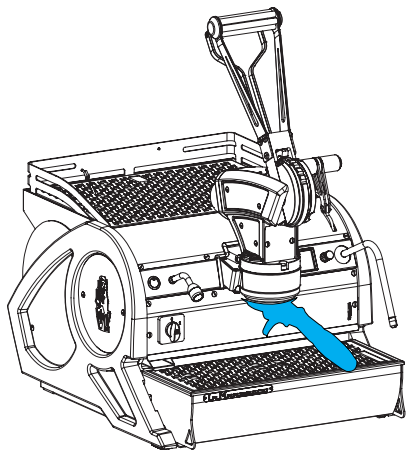
8

Il est également possible de contrôler le processus de chauffage de la chaudière en regardant le Manomètre de la Chaudière Vapeur. La chaudière vapeur est réglée en usine à une pression d'environ 1,4.

Dès que le manomètre atteint ce point, la chauffe s'arrêtera.

**Manomètre
chaudière Vapeur**



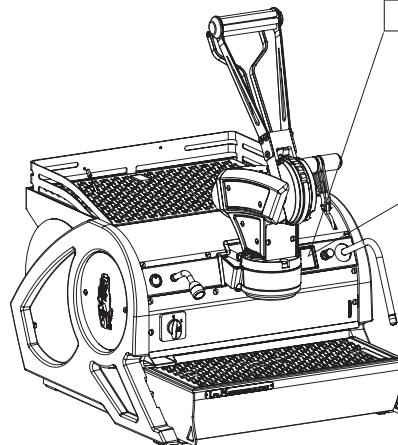


9

Quand la machine espresso est prête, mettre le café moulu dans le porte-filtre et activer la distribution. Pour plus d'informations sur l'utilisation de cette machine espresso, consulter le Manuel d'Emploi.

Manomètre
chaudière café

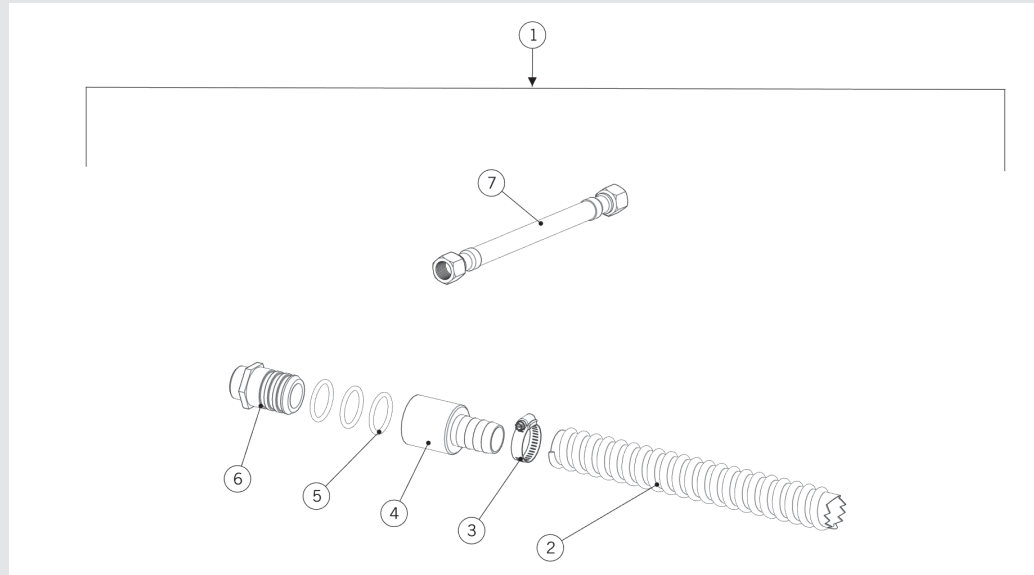
Brewing	93.2°C
0	1.4
SECONDS	BAR



10

Pendant la distribution, la pression du groupe café devrait être située entre 0-13 bar. La pression de la chaudière vapeur devrait être réglée sur 1,4 bar mais peut fonctionner à n'importe quel réglage entre 1,3 bar et 2 bar.

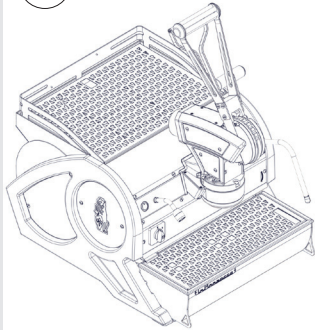
8. Kit Réseau de Distribution d'Eau



1	913	PLUMBING CONNECTION KIT CE
2	L308	CLEAR ARMoured DRAIN HOSE
3	L312	HOSE CLAMP
4	F.8.003	HOSE CONNECTOR QUICK CONNECTION
5	H.1.010.01	ORING 3087 (2-118) EPDM 70 SHA
6	F.8.002	DISCHARGE FITTING QUICK CONNECTION
7	L325	150CM S/S BRAIDED HOSE, G3/8-G1/4 GS3
Élém.	Code	Description

9. Instructions pour le raccordement au Réseau de Distribution d'Eau

1.

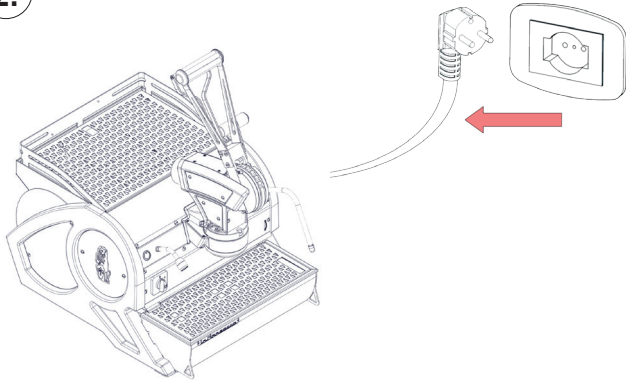


- 1. Tournevis plat
- 2. Clé 17 mm
- 3. Clé 21 mm
- 4. Clé 27 mm

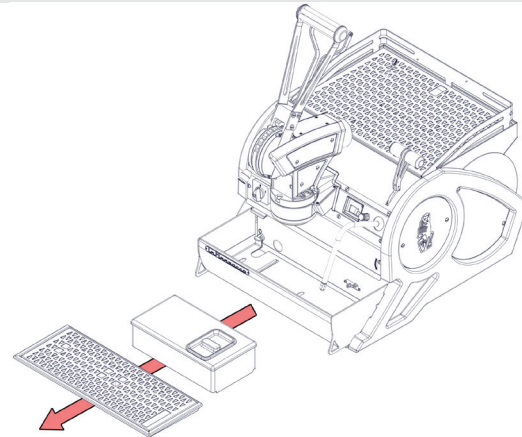
ATTENTION
Tension dangereuse, débrancher du réseau électrique avant de procéder aux opérations d'entretien.

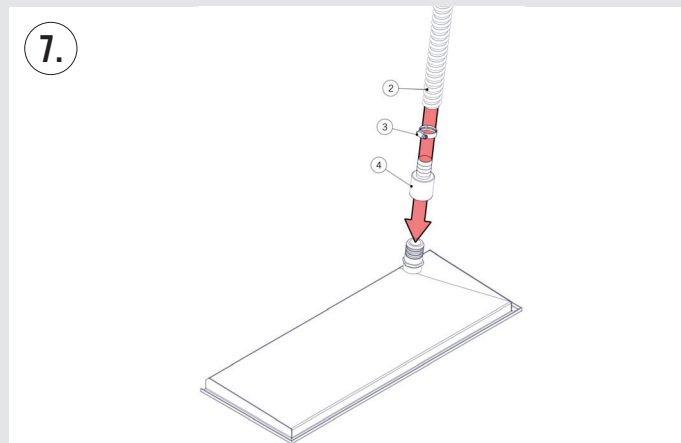
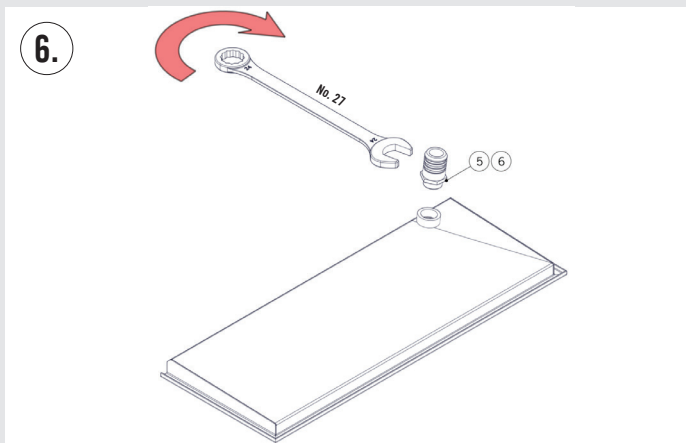
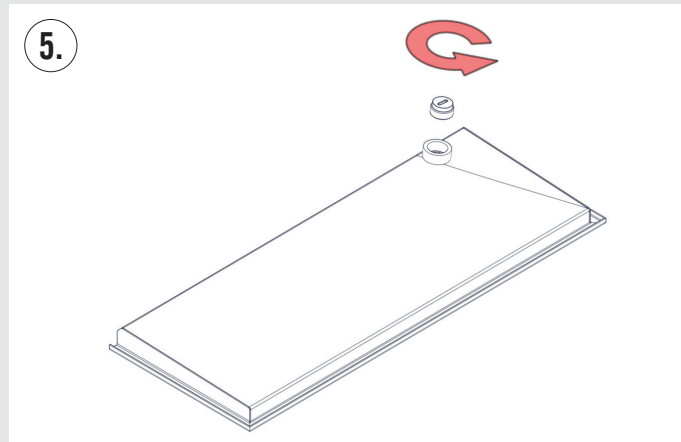
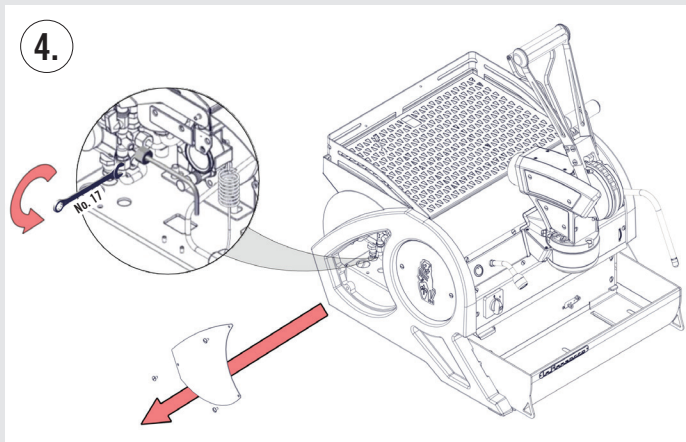
ATTENTION
La Chaudière-Café contient de l'eau à une température élevée. Une température de l'eau supérieure à 125°F / 52°C peut causer de graves brûlures instantanées ou la mort par ébullition (Chaudière Café 207°F / 97°C - Chaudière Vapeur 256°F / 124°C)

2.

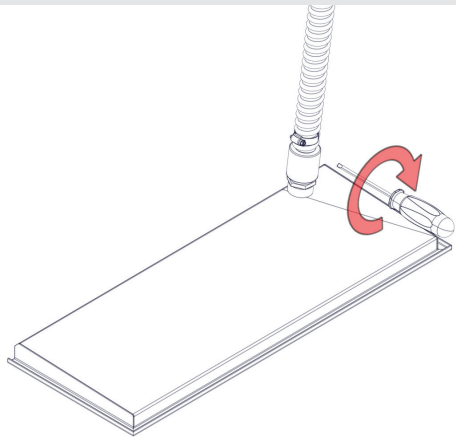


3.

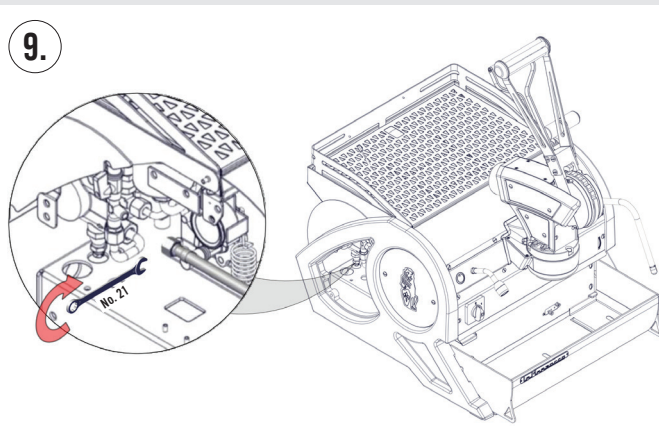




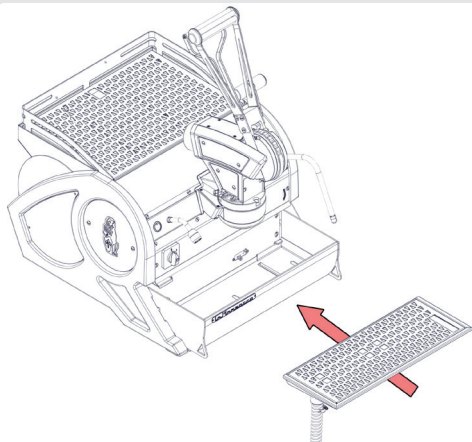
8.



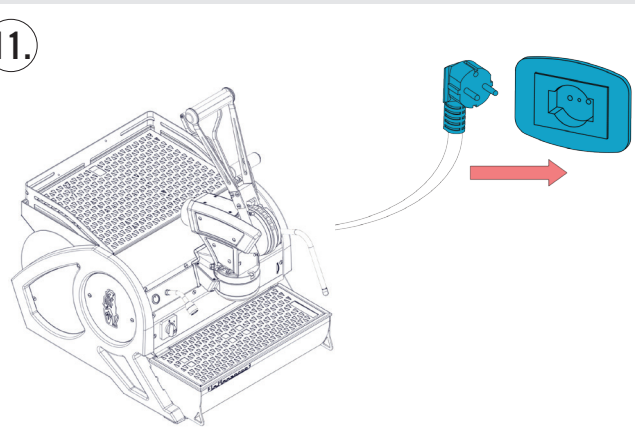
9.



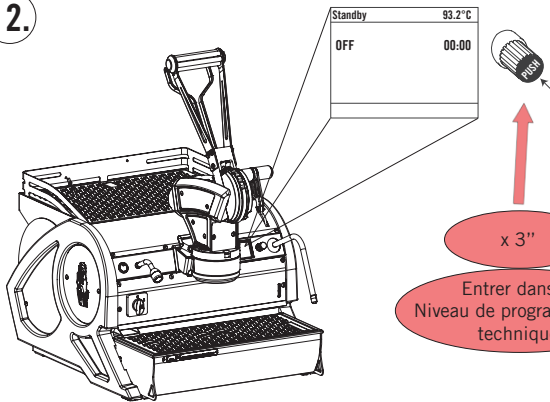
10.



11.



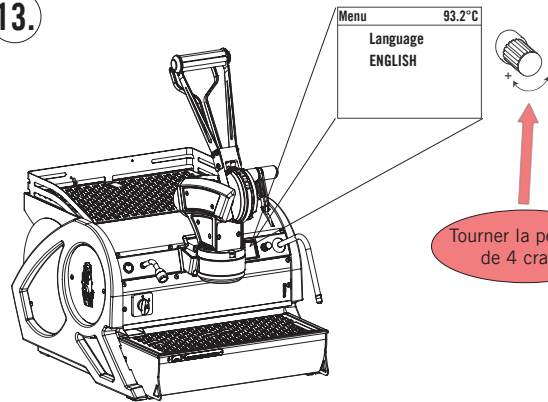
12.



x 3"

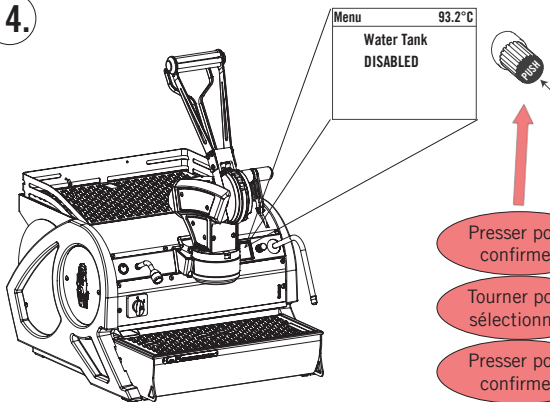
Entrer dans le Niveau de programmation technique

13.



Tourner la poignée de 4 crans

14.

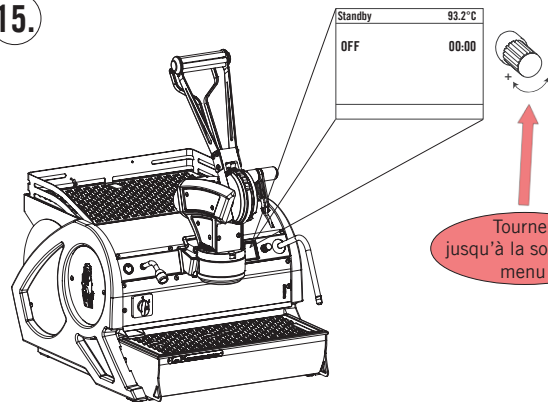


Presser pour confirmer

Tourner pour sélectionner

Presser pour confirmer

15.



Tourner jusqu'à la sortie du menu

