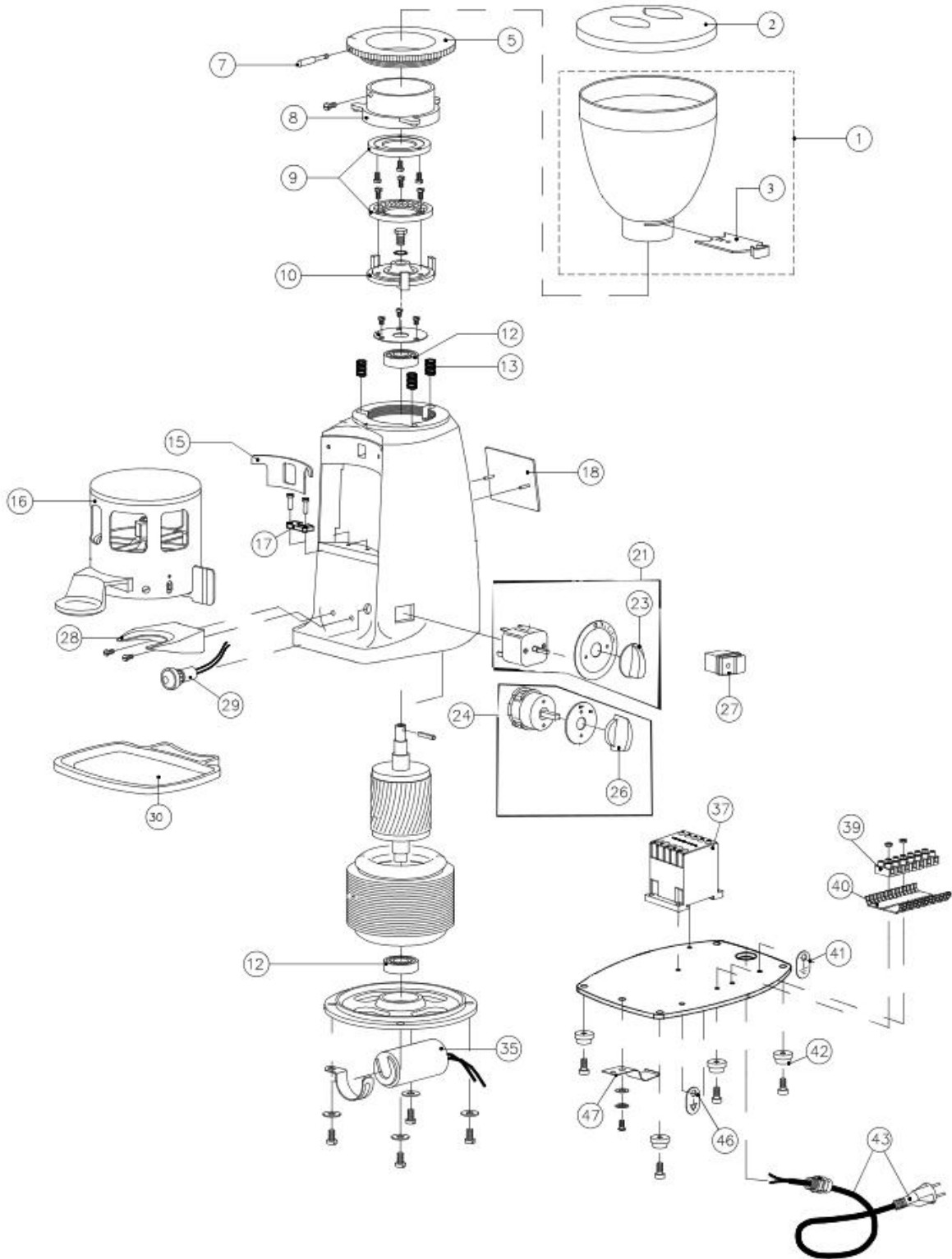


Mazzer Doser Grinders



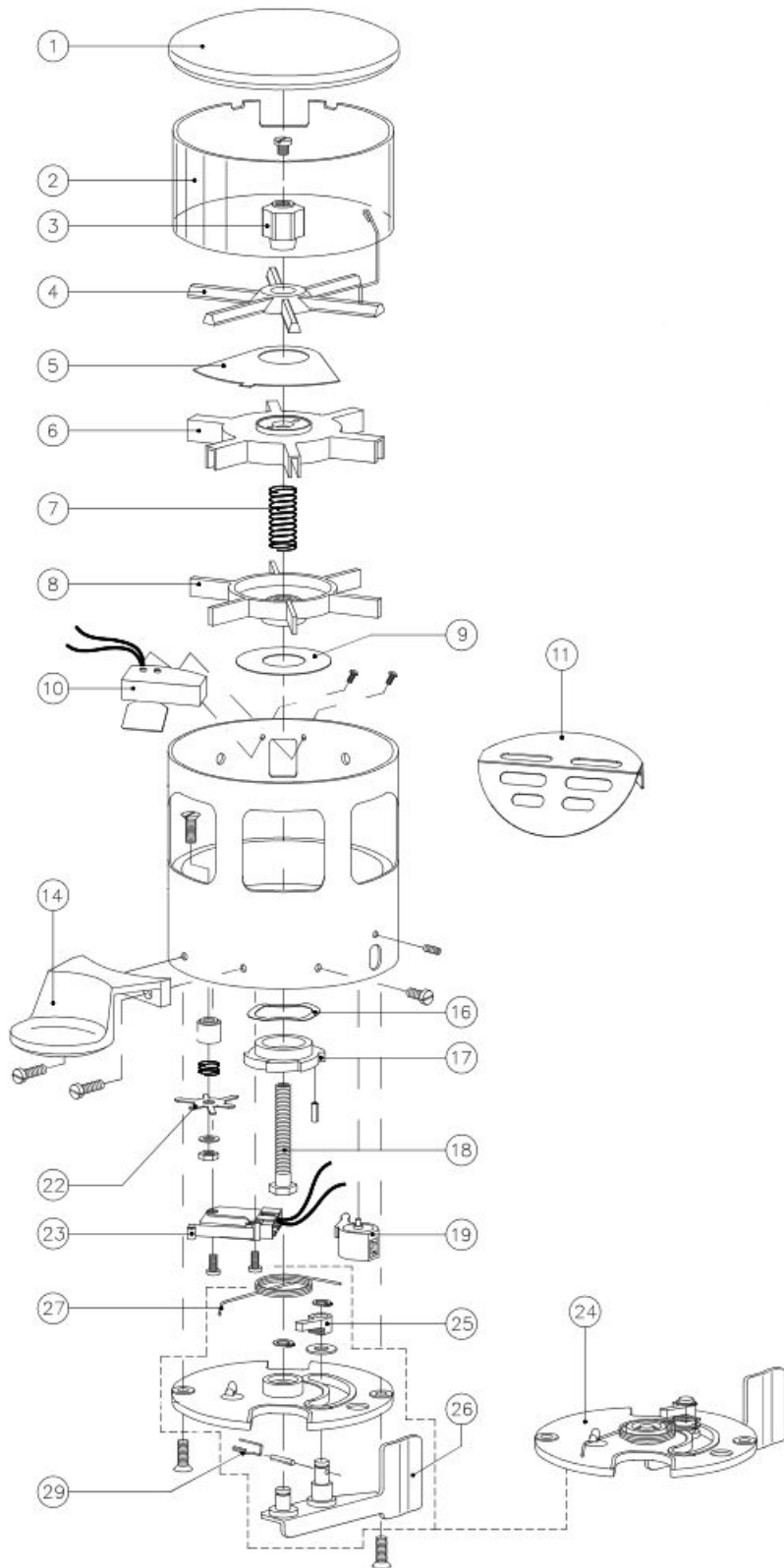
1553 NW Ballard Way
Seattle WA 98107
Tel: 206.706.9104
Fax: 206.706.9106
www.lamarzoccousa.com

Mini



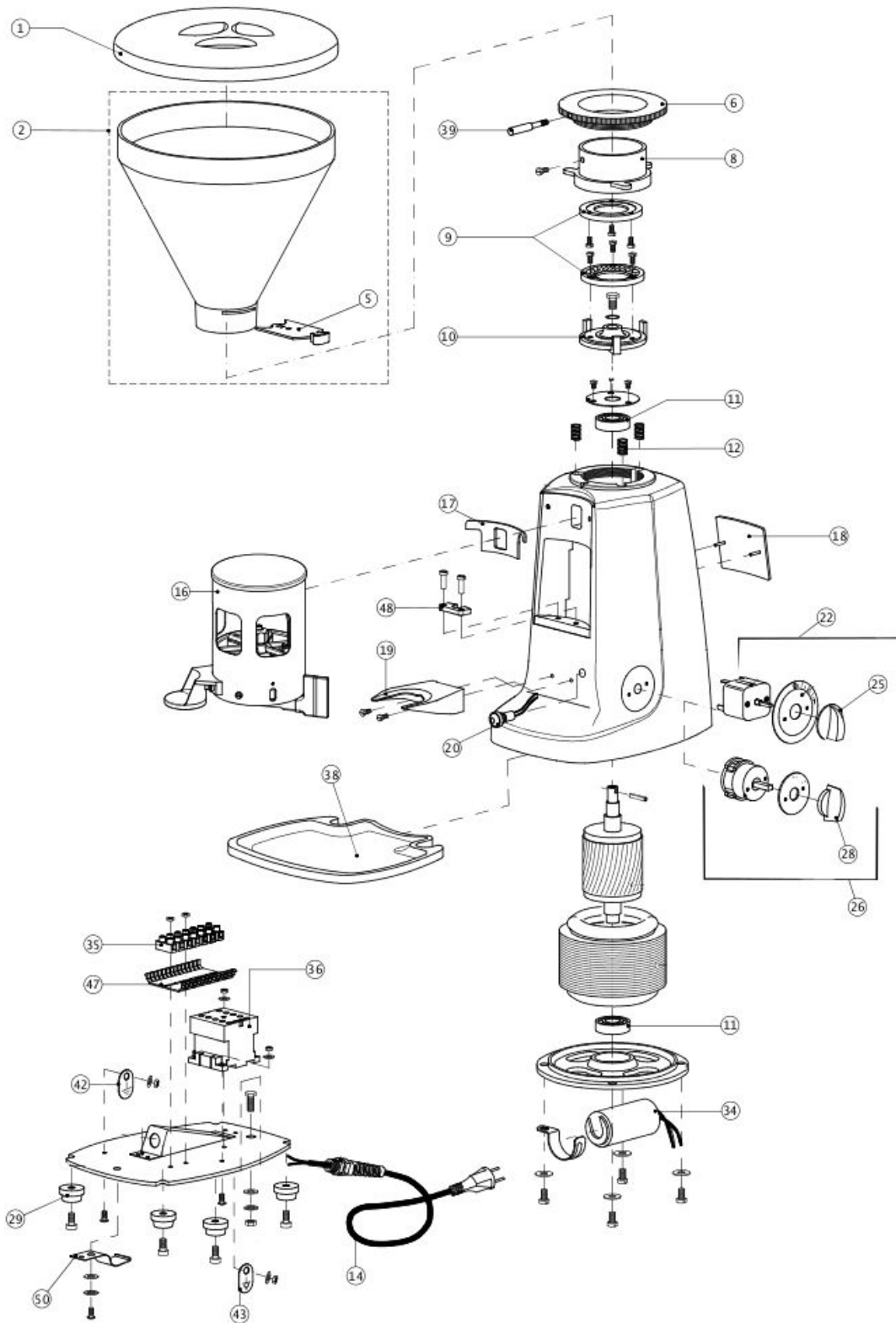
| Position | Description | Part Number |
|----------|--|----------------|
| 1 | Mini Hopper (no lid) | M28350001 |
| 2 | Mini Hopper Lid | M28054009 |
| 3 | Hopper Locking Slide | M28326010/VT |
| 5 | Coffee Grinding Adj. Disk , SJ / Mini E / Kony | M28157 |
| 7 | Grinding Adjustment Disk Handle | M28360012 |
| 8 | Upper Burr Holder, Mini | M28360011/MINI |
| 9 | Mini Grinding Burrs 182-D | M28217003 |
| 10 | Lower Grinding Burr Holder , Mini | M28253/MINI |
| 12 | Bearing, 6202 | M28057 |
| 13 | Grinding Adjustment Spring | M28233 |
| 15 | Gasket Aer-Stop | M28400004 |
| 16 | Mini ETL Manual Doser | M28100/MINI |
| 17 | Doser fixing Support | M28258007 |
| 18 | Major Burrs | M28215 |
| 21 | Complete Two Pole Timer Switch | M28162 |
| 23 | Timer Switch Knob | M28162/K |
| 24 | Two Pole Rotative Switch, On/Off | M28161 |
| 26 | Knob for M28161 & M28166 Switches | M28166/K |
| 27 | Green Light Switch | M28163/MINI |
| 28 | Fork, (Standard Doser) | M28122 |
| 29 | Pilot Light, 110V UL, Red | M28258006 |
| 30 | Drip Tray (Metal, Square) | TRAY/MINI |
| 35 | Capacitor 20 uF | M19051 |
| 37 | CONTACTOR 110V/60HZ 9 AMP (SMALL) | M28341 |
| 39 | Terminal Blocks | M28903 |
| 40 | Under Terminal Blocks | M28904 |
| 41 | Ground Plate | M28902 |
| 42 | Mazzer Foot | M28258 |
| 42A | SCREW TC 5X20 FOR BACK FOOT | M28258/SCL |
| 42B | SCREW, TC 5X12 6107 ZINC | M28258/SCS |
| 43 | Mazzer Power Cable | M30022 |
| 46 | External Unipotential Clamp, Plate | M28905 |
| 47 | Mazzer Grounds Tray Clip | M28259 |

Mini Doser



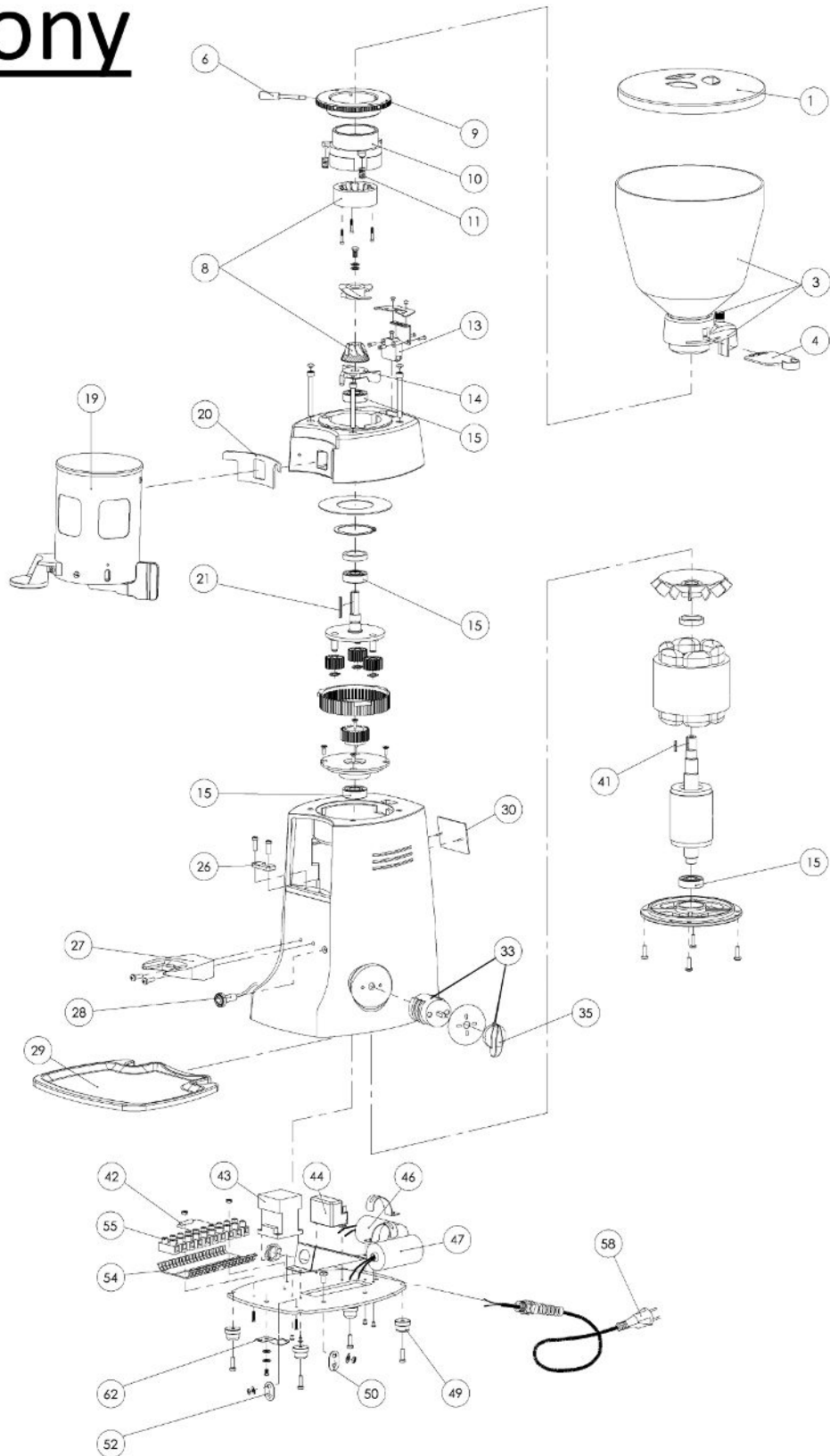
| Position | Description | Part Number |
|----------|--------------------------------------|-------------|
| 1 | Mazzer Doser Lid | M28055 |
| 2 | Cylinder for Mini Doser | M28051/MINI |
| 3 | DOSER ADJUSTMENT KNOB | M28202 |
| 4 | Mini Upper Dosing Star | M28300/MINI |
| 5 | Coffee Outlet Cover Plate | M28323 |
| 6 | Mazzer Female Dosing Star | M28301 |
| 7 | Mazzer Dosing System Pressing Spring | M28218 |
| 8 | Male Dosing Star | M28302 |
| 9 | Doser Washer D. 5 thick 0,4 | M28303 |
| 10 | Mazzer Complete Upper Micro switch | M28240 |
| 11 | Coffee Outlet Cover Plate, MINI | M28323/MINI |
| 14 | Tamper Press, Diameter 57.5mm | M28251 |
| 16 | Corrugated Ring | M28002000 |
| 17 | Mazzer Doser Ratchet | M28066 |
| 18 | Mazzer Doser Adjustment Screw M8X70 | M28394 |
| 19 | Mazzer Complete Counter | M28052 |
| 22 | Micro switch Star | M28299 |
| 23 | Lower Micro Switch | M28239 |
| 24 | Doser Bottom Plate Complete | M28126 |
| 25 | Nose / Acciaio AISI 304 | M28249000 |
| 26 | Doser Return Lever | M28196 |
| 27 | Doser Lever Return Spring | M28220 |
| 29 | Nose Spring | M28231 |

Normale - Super Jolly



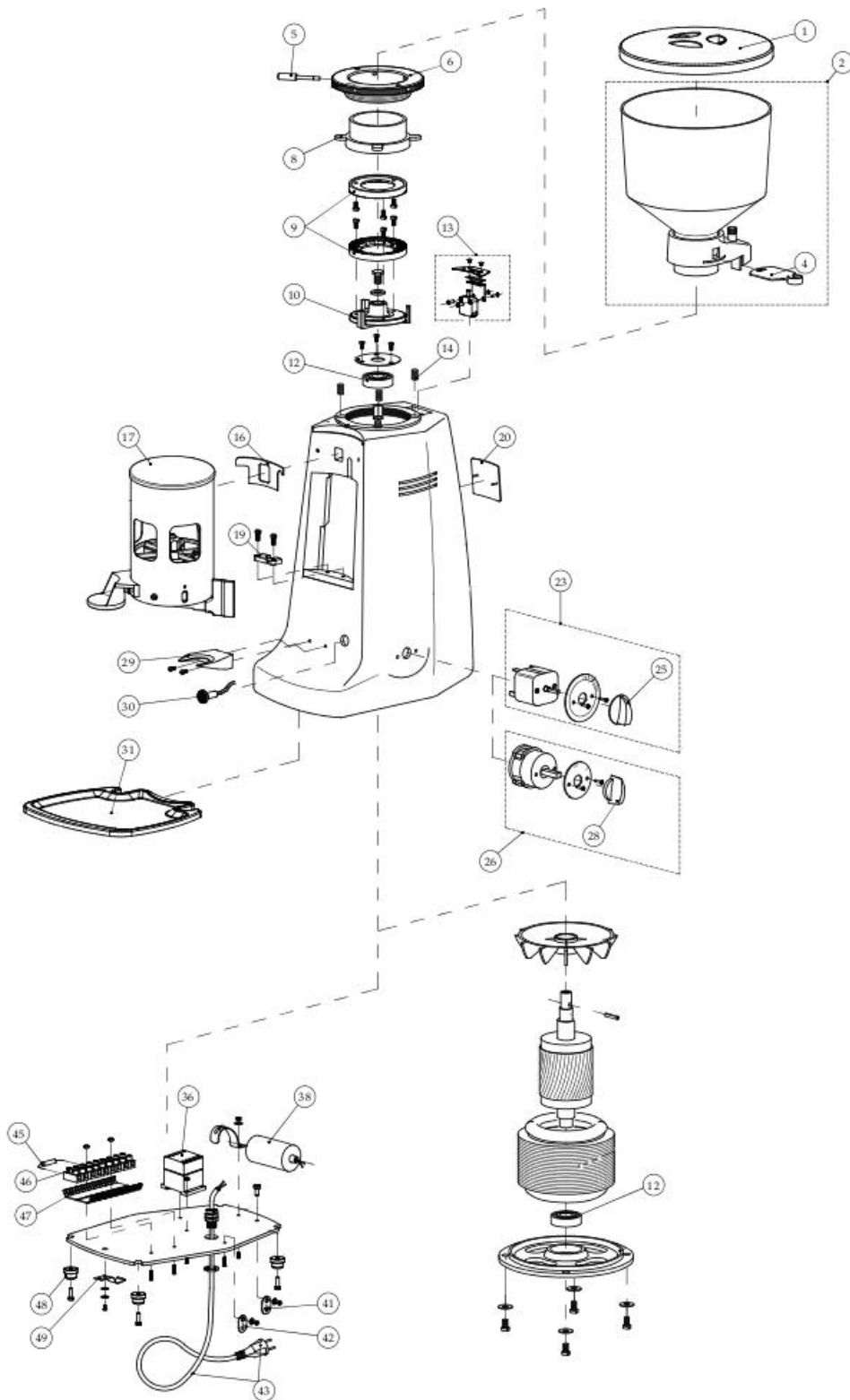
| Position | Description | Part Number |
|----------|--|--------------|
| 1 | Mazzer Hopper Lid | M28053 |
| 2 | Mazzer Hopper with Collar (no lid) | M28351 |
| 5 | Hopper Locking Slide | M28326010/VT |
| 6 | Coffee Grinding Adj. Disk , SJ / Mini E / Kony | M28157 |
| 8 | Upper Burr Holder, Super Jolly | M28360011 |
| 9 | Super Jolly Burrs | M28213 |
| 10 | Super Jolly/Mini 'E' Lower Burr Holder | M28253 |
| 11 | Bearing, 6202 | M28057 |
| 12 | Grinding Adjustment Spring | M28233 |
| 17 | Gasket Aer-Stop | M28400004 |
| 18 | Mazzer 4M Back Plate. Mini, SJ, K, M, R | M28535 |
| 19 | Fork, (Standard Doser) | M28122 |
| 20 | Pilot Light, 110V UL, Red | M28258006 |
| 22 | Complete Two Pole Timer Switch | M28162 |
| 25 | Timer Switch Knob | M28162/K |
| 26 | Two Pole Rotative Switch, On/Off | M28161 |
| 28 | Knob for M28161 & M28166 Switches | M28166/K |
| 29 | Mazzer Foot | M28258 |
| 29A | SCREW TC 5X20 FOR BACK FOOT | M28258/SCL |
| 29B | SCREW, TC 5X12 6107 ZINC | M28258/SCS |
| 34 | Capacitor, 30 uF | M19056 |
| 35 | Terminal Blocks | M28903 |
| 36 | CONTACTOR 110V/60HZ 9 AMP (SMALL) | M28341 |
| 38 | Small mazzer Drip Tray, M / SJ / K / R / KOLD | TRAY/SM |
| 39 | Grinding Adjustment Disk Handle | M28360012 |
| 42 | Ground Plate | M28902 |
| 43 | External Unipotential Clamp, Plate | M28905 |
| 47 | Under Terminal Blocks | M28904 |
| 48 | Doser fixing Support | M28258007 |
| 50 | Mazzer Grounds Tray Clip | M28259 |
| | | |

Kony



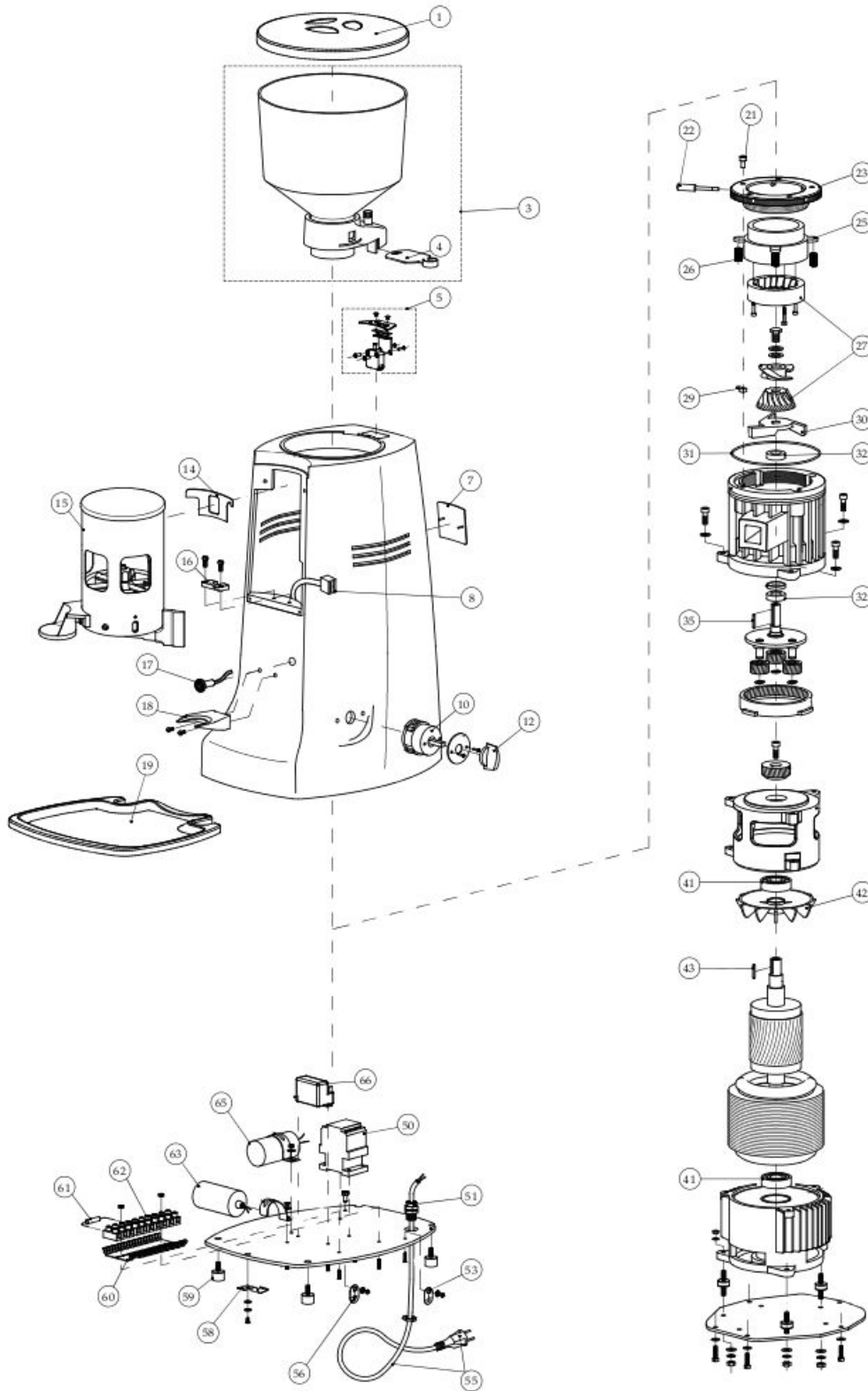
| Position | Description | Part Number |
|----------|--|-------------|
| 1 | Mazzer Hopper Lid | M28053 |
| 3 | Kony Hopper, with Collar (no lid) | M28351003 |
| 4 | Locking Hopper Slide | M28326010 |
| 6 | Grinding Adjustment Disk Handle | M28360012 |
| 8 | Conical Grinding Burrs, 191C Kony | M282191 |
| 9 | Coffee Grinding Adj. Disk , SJ / Mini E / Kony | M28157 |
| 10 | Upper Burr Holder, Kony | M28360030/K |
| 11 | Grinding Adjustment Spring | M28233 |
| 13 | Hopper Safety Switch | M28241 |
| 14 | Lower Burr Holder, Kony | M28253/K |
| 15 | Bearing, 6202 | M28057 |
| 19 | UL Automatic Doser, M , R, K | M28099 |
| 20 | Gasket Aer-Stop | M28400004 |
| 21 | 3 x 3 x 30 Key | M28254 |
| 26 | Doser fixing Support | M28258007 |
| 27 | Fork, (Standard Doser) | M28122 |
| 28 | Pilot Light, 110V UL, Red | M28258006 |
| 29 | Small mazzer Drip Tray, M / SJ / K / R / KOLD | TRAY/SM |
| 30 | Filter /Screen for 60 X 60 Fan | M28530/M |
| 33 | Two Pole Rotative Switch+ Aux ON/OFF/START | M28166 |
| 35 | Knob for M28161 & M28166 Switches | M28166/K |
| 41 | 4 X 4 X 14 Key | M28255 |
| 42 | Load Resistor 68 Kilo-Ohm 2 Watt | M28710 |
| 43 | Contactora 110V/60 HZ 18 AMP (Large) | M28341/NT |
| 44 | Relay, Kony | M28347 |
| 46 | Capacitor, 30 uF | M19056 |
| 47 | Capacitor 40 uF | M19057 |
| 49 | Mazzer Foot | M28258 |
| 49A | SCREW TC 5X20 FOR BACK FOOT | M28258/SCL |
| 49B | SCREW, TC 5X12 6107 ZINC | M28258/SCS |
| 50 | External Unipotential Clamp, Plate | M28905 |
| 52 | Ground Plate | M28902 |
| 54 | Under Terminal Blocks | M28904 |
| 55 | Terminal Blocks | M28903 |
| 58 | Mazzer Power Cable | M30022 |
| 62 | Mazzer Grounds Tray Clip | M28259 |

Major



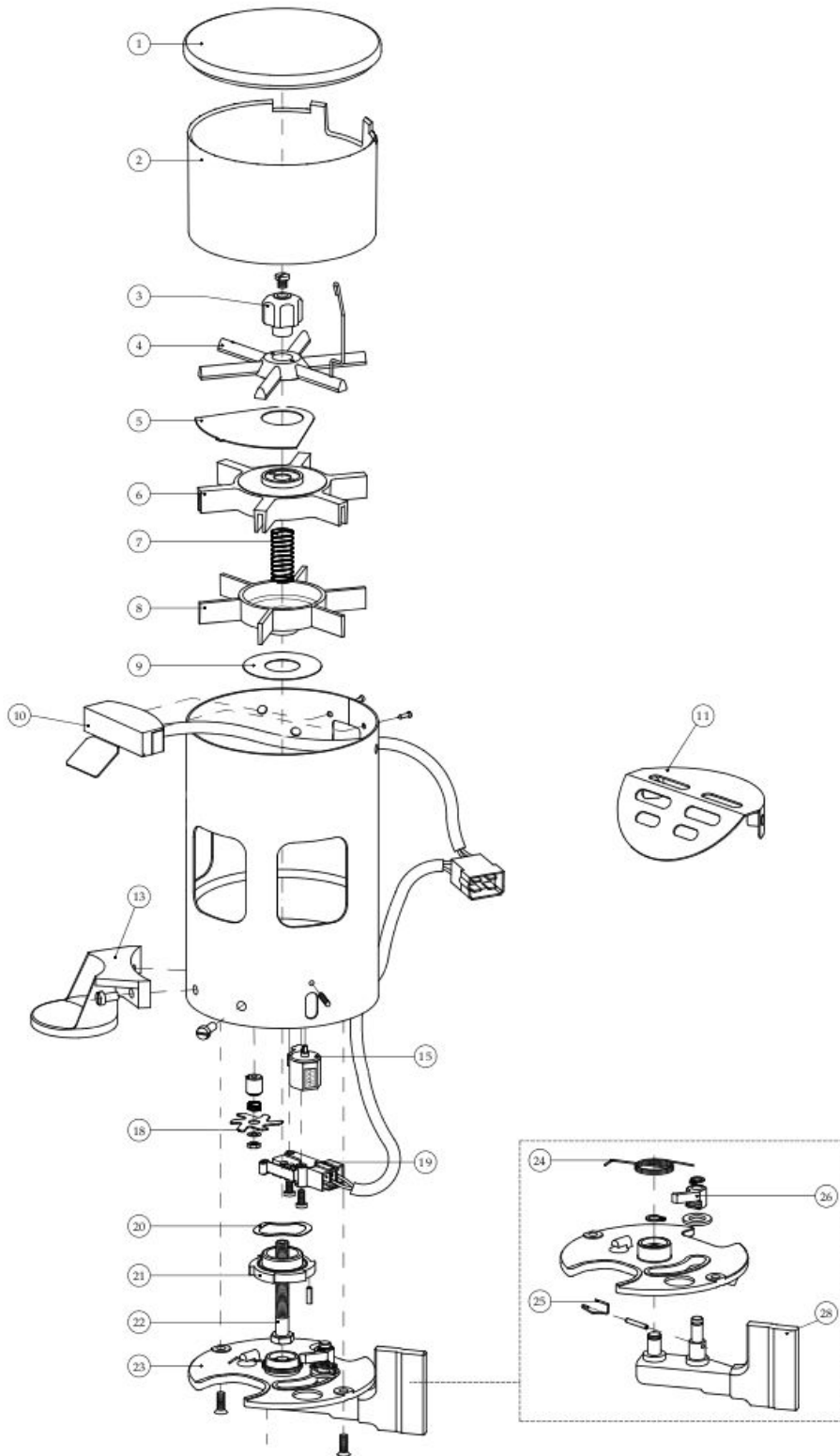
| Position | Description | Part Number |
|----------|---|-------------|
| 1 | Mazzer Hopper Lid | M28053 |
| 2 | Robur/Major Hopper, with Collar (no lid) | M28351002 |
| 4 | Locking Hopper Slide | M28326010 |
| 5 | Grinding Adjustment Disk Handle | M28360012 |
| 6 | Coffee Grinding Adjustment Disk, Major/Robur | M28158 |
| 8 | Major Upper Burr Holder | M28360030 |
| 9 | Major Burrs | M28215 |
| 10 | Major Lower Burr Holder | M28253/M |
| 12 | Bearing, 6204 | M28063 |
| 13 | Hopper Safety Switch | M28241 |
| 14 | Grinding Adjustment Spring | M28233 |
| 16 | Gasket Aer-Stop | M28400004 |
| 17 | UL Automatic Doser, M, R, K | M28099 |
| 19 | Doser fixing Support | M28258007 |
| 20 | Mazzer 4M Back Plate. Mini, SJ, K, M, R | M28535 |
| 23 | Complete Two Pole Timer Switch | M28162 |
| 25 | Timer Switch Knob | M28162/K |
| 26 | Two Pole Rotative Switch, On/Off | M28161 |
| 28 | Knob for M28161 & M28166 Switches | M28166/K |
| 29 | Fork, (Standard Doser) | M28122 |
| 30 | Pilot Light, 110V UL, Red | M28258006 |
| 31 | Small mazzer Drip Taya, M / SJ / K / R / KOLD | TRAY/SM |
| 36 | Contactora 110V/60 HZ 18 AMP (Large) | M28341/NT |
| 38 | Capacitor 60 uF | M19058 |
| 41 | External Unipotential Clamp, Plate | M28905 |
| 42 | Ground Plate | M28902 |
| 43 | Mazzer Power Cable | M30022 |
| 45 | Load Resistor 68 Kilo-Ohm 2 Watt | M28710 |
| 46 | Terminal Blocks | M28903 |
| 47 | Under Terminal Blocks | M28904 |
| 48 | Mazzer Foot | M28258 |
| 48A | SCREW TC 5X20 FOR BACK FOOT | M28258/SCL |
| 48B | SCREW, TC 5X12 6107 ZINC | M28258/SCS |
| 49 | Mazzer Grounds Tray Clip | M28259 |

Robur



| Position | Description | Part Number |
|----------|---|-------------|
| 1 | Mazzer Hopper Lid | M28053 |
| 3 | Robur/Major Hopper, with Collar (no lid) | M28351002 |
| 4 | Locking Hopper Slide | M28326010 |
| 5 | Hopper Safety Switch | M28241 |
| 7 | Mazzer 4M Back Plate. Mini, SJ, K, M, R | M28535 |
| 10 | Two Pole Rotative Switch+ Aux ON/OFF/START | M28166 |
| 12 | Knob for M28161 & M28166 Switches | M28166/K |
| 14 | Gasket Aer-Stop | M28400004 |
| 15 | UL Automatic Doser, M, R, K | M28099 |
| 16 | Doser fixing Support | M28258007 |
| 17 | Pilot Light, 110V UL, Red | M28258006 |
| 18 | Fork, (Standard Doser) | M28122 |
| 19 | Small mazzer Drip Tray, M / SJ / K / R / KOLD | TRAY/SM |
| 21 | Adjustment Collar Bolt | M28360015 |
| 22 | Grinding Adjustment Disk Handle | M28360012 |
| 23 | Coffee Grinding Adjustment Disk, Major/Robur | M28158 |
| 25 | Upper Burr Holder, Robur | M28360030/R |
| 26 | Grinding Adjustment Spring | M28233 |
| 27 | Burrs, 186C, Robur / Kold | M282186 |
| 29 | Lock Nut for Grinding Adjustment Disk | M28360019 |
| 30 | Lower Burr Holder, Robur/Kold | M28253/R |
| 31 | O-Ring, NB70, Seal | M30009 |
| 32 | Bearing, 6202 | M28057 |
| 35 | 3 x 3 x 30 Key | M28254 |
| 41 | Bearing, 6204 | M28063 |
| 42 | Cooling Fan, Robur/Kold | M30019 |
| 43 | 4 X 4 X 14 Key | M28255 |
| 50 | Contacto 110V/60 HZ 18 AMP (Large) | M28341/NT |
| 51 | Cable Locking HSK-K PG11 Black | M30020 |
| 53 | Ground Plate | M28902 |
| 55 | Mazzer Power Cable | M30022 |
| 56 | External Unipotential Clamp, Plate | M28905 |
| 58 | Mazzer Grounds Tray Clip | M28259 |
| 59 | Mazzer Foot, Robur/Kold | M28258/R |
| 60 | Under Terminal Blocks | M28904 |
| 61 | Load Resistor 68 Kilo-Ohm 2 Watt | M28710 |
| 62 | Terminal Blocks | M28903 |
| 63 | Capacitor 60 uF | M19058 |
| 65 | Capacitor 80 uF | M19060 |
| 66 | New Style, Relay for Robur / Kold | M28346 |

Doser



| Position | Description | Part Number |
|----------|---|-------------|
| 1 | Mazzer Doser Lid | M28055 |
| 2 | Cylinder Window, Inside Doser SJ, K, M, R | M28051 |
| 3 | DOSER ADJUSTMENT KNOB | M28202 |
| 4 | Upper Dosing Star, Supper Jolly, Kony | M28300 |
| 4 | Upper Dosing Star, Major, Robur | M28300/M |
| 5 | Coffee Outlet Cover Plate | M28323 |
| 6 | Mazzer Female Dosing Star | M28301 |
| 7 | Mazzer Dosing System Pressing Spring | M28218 |
| 8 | Male Dosing Star | M28302 |
| 9 | Doser Washer D. 5 thick 0,4 | M28303 |
| 10 | Mazzer Complete Upper Micro switch | M28240 |
| 11 | Coffee Outlet Guard | M28250 |
| 13 | Tamper Press, Diameter 57.5mm | M28251 |
| 15 | Mazzer Complete Counter | M28052 |
| 18 | Micro switch Star | M28299 |
| 19 | Lower Micro Switch | M28239 |
| 20 | Corrugated Ring | M28002000 |
| 21 | Mazzer Doser Ratchet | M28066 |
| 22 | Mazzer Doser Adjustment Screw M8X70 | M28394 |
| 23 | Doser Bottom Plate Complete | M28126 |
| 24 | Doser Lever Return Spring | M28220 |
| 25 | Nose Spring | M28231 |
| 26 | Nose / Acciaio AISI 304 | M28249000 |
| 28 | Doser Return Lever | M28196 |